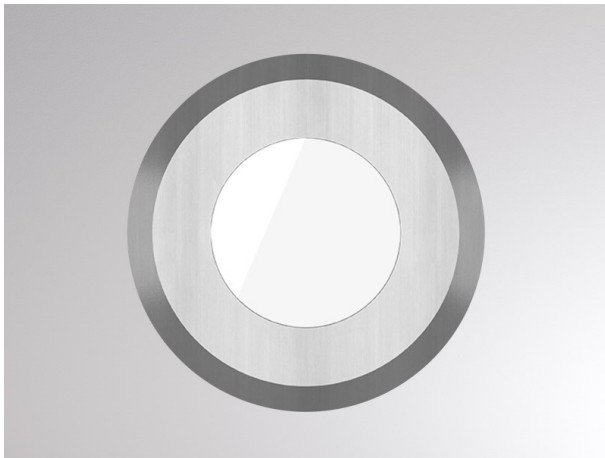


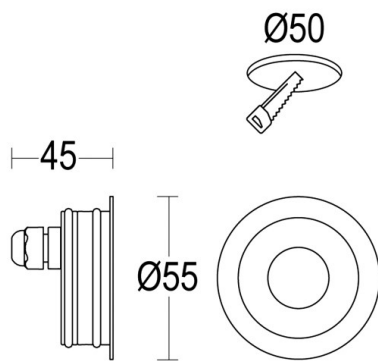
SEGNO

57-gh1119baxw300el15

MAXISEGNO RECESSED SPOTLIGHT made of aluminium, stainless steel, opal diffuser beam 115°, without converter, max. 350mA, dimmability: see converter, IP67



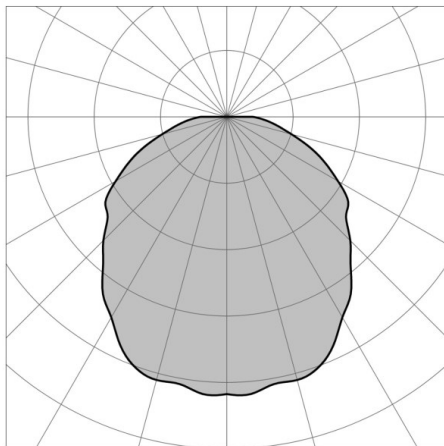
DRAWING



TECHNICAL DETAILS

System perform. [W]	1
Bulb type	LED
Luminous flux [lm]	27
Current sec. [mA]	350
Colour temp. [K]	3000K
CRI	>80
Optics	opal diffuser
Converter	without converter
Dimming	see converter
Beam angle [°]	115°
Voltage [V]	24 VDC
Material	aluminium
Diameter [mm]	55
Recess depth [mm]	75-100
IP protection class	IP67
Voltage class	protection cl. III
Shock resistance	IK08
Net weight [kg]	0,14
Colour lamp	stainless steel
Lifetime [h]	60 000 L80 B10
Energy efficiency cl.	F

LIGHT DISTRIBUTION CURVE



The values are rated values. Power and luminous flux are initially subject to a tolerance of +/- 10%. Colour temperature tolerance: +/- 150 K. The values apply to an ambient temperature of 25°C unless otherwise specified.