

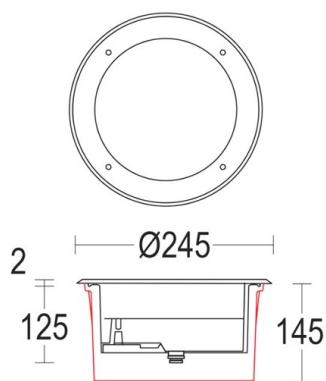
## MAXISPIACAR

57-gh5329brft300en68

MAXISPIACAR RECESSED FLOOR LAMP made of aluminium, bronze, transparent glass beam 58°, with converter, max. 350mA, dimmability: not dimmable, IP68



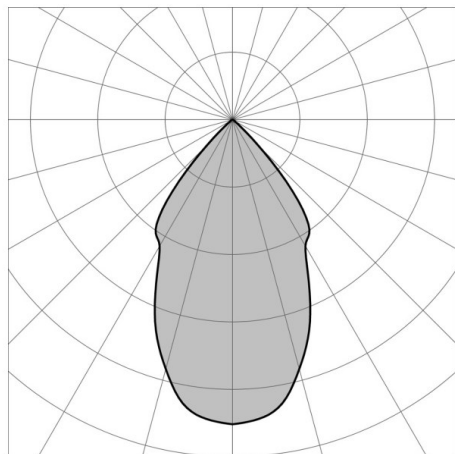
## DRAWING



## TECHNICAL DETAILS

System perform. [W]	14
Bulb type	LED
Luminous flux [lm]	1533
Current sec. [mA]	350
Colour temp. [K]	3000K
CRI	>90
Optics	transparent glass
Converter	with converter
Dimming	not dimmable
Beam angle [°]	58°
Voltage [V]	220-240V 50/60Hz
Material	aluminium
Diameter [mm]	245
Recess depth [mm]	145
IP protection class	IP68
Voltage class	protection cl. I
Shock resistance	IK10
Net weight [kg]	2,87
Colour lamp	bronze
Lifetime [h]	100 000 L80 B10
Energy efficiency cl.	E

## LIGHT DISTRIBUTION CURVE



The values are rated values. Power and luminous flux are initially subject to a tolerance of +/- 10%. Colour temperature tolerance: +/- 150 K. The values apply to an ambient temperature of 25°C unless otherwise specified.