

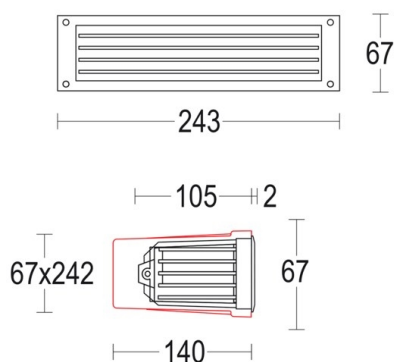
## MARGIN WALL

57-gh6507ahxa300en19

MARGIN WALL GRID RECESSED WALL LUMINAIRE light grey, opal diffuser beam asymmetric, with converter, max. 350mA, dimmability: not dimmable, IP66



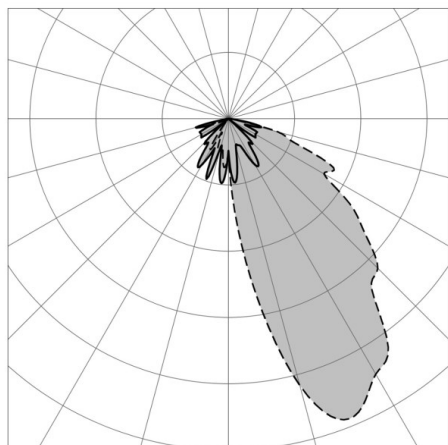
## DRAWING



## TECHNICAL DETAILS

System perform. [W]	7
Bulb type	LED
Luminous flux [lm]	7
Current sec. [mA]	350
Colour temp. [K]	3000K
CRI	>90
Optics	opal diffuser
Converter	with converter
Dimming	not dimmable
Beam angle [°]	asymmetrisch
Voltage [V]	220-400V 50/60Hz
Length [mm]	243
Width [mm]	67
Recess depth [mm]	140
IP protection class	IP66
Voltage class	protection cl. I
Shock resistance	IK10
Net weight [kg]	0,96
Colour lamp	light grey
Energy efficiency cl.	E

## LIGHT DISTRIBUTION CURVE



The values are rated values. Power and luminous flux are initially subject to a tolerance of +/- 10%. Colour temperature tolerance: +/- 150 K. The values apply to an ambient temperature of 25°C unless otherwise specified.