

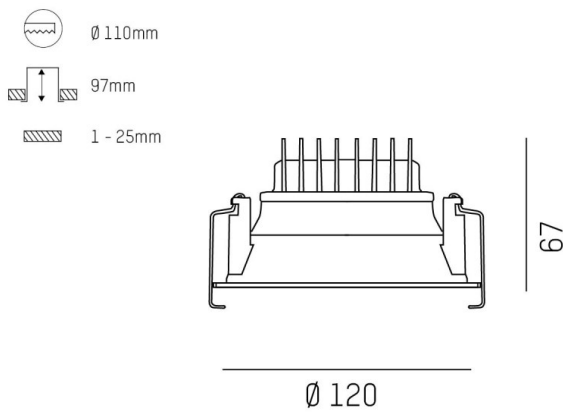
COZY

573-010031300606d

COZY DOWNLIGHT R RECESSED DOWNLIGHT made of aluminium, black, similar to RAL 9005, decor black,high-efficiently vacuum deposited synthetic reflector beam 38°, light output direct, UGR <22, without converter, dimmability: DALI, IP20



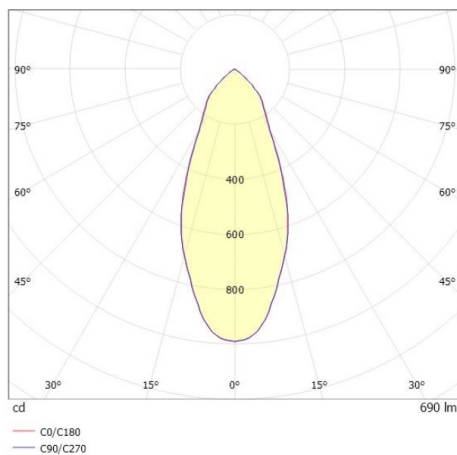
DRAWING



TECHNICAL DETAILS

|                        |                                      |
|------------------------|--------------------------------------|
| Bulb type              | LED 15W                              |
| Luminous flux [lm]     | 690                                  |
| Colour temp. [K]       | 2700K                                |
| CRI                    | >90                                  |
| UGR                    | <22                                  |
| Optics                 | vacuum deposited synthetic reflector |
| Designer               | Serge Cornelissen                    |
| Converter              | without converter                    |
| Light output           | direct                               |
| Beam angle [°]         | 38°                                  |
| Voltage [V]            | 24 VDC                               |
| Material               | aluminium                            |
| Height [mm]            | 67                                   |
| Diameter [mm]          | 120                                  |
| Ceiling cutout [mm]    | 110                                  |
| Ceiling thickness [mm] | 1-25                                 |
| Recess depth [mm]      | 97                                   |
| IP protection class    | IP20                                 |
| Voltage class          | protection cl. II                    |
| Shock resistance       | IK06                                 |
| Net weight [kg]        | 0,43                                 |
| Colour lamp            | black                                |
| RAL                    | 9005                                 |
| Colour decor           | black                                |
| EAN-Number             | 9010506958973                        |
| Lifetime [h]           | L80 B10 50 000                       |
| Energy efficiency cl.  | E                                    |

LIGHT DISTRIBUTION CURVE



The values are rated values. Power and luminous flux are initially subject to a tolerance of +/- 10%. Colour temperature tolerance: +/- 150 K. The values apply to an ambient temperature of 25°C unless otherwise specified.