

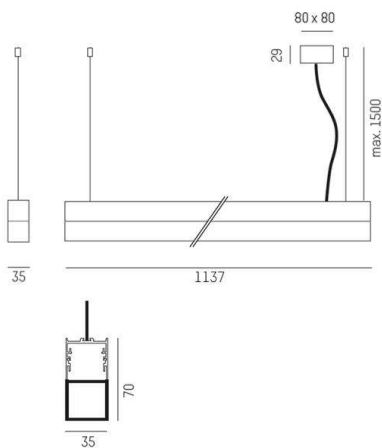
RIDE

577-01203202306d

RIDE PD SUSPENSION made of die-cast aluminium, black, similar to RAL 9005, satined PMMA diffuser cubic for homogeneous illumination light output direct, with converter, max. 500mA, dimmability: DALI, cable transparent, adapter/ceiling base black, pendant length 1500mm, IP20



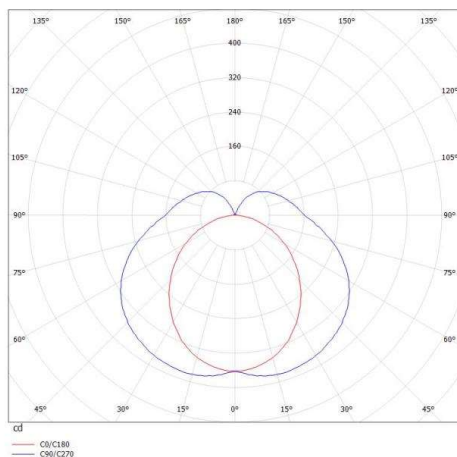
DRAWING



TECHNICAL DETAILS

|                             |                          |
|-----------------------------|--------------------------|
| System perform. [W]         | 19                       |
| Bulb type                   | LED                      |
| Luminous flux [lm]          | 1850                     |
| Current sec. [mA]           | 500                      |
| Colour temp. [K]            | 2700K                    |
| CRI                         | >90                      |
| Optics                      | PMMA opal diffuser cubic |
| Designer                    | INHOUSE                  |
| Converter                   | with converter           |
| Light output                | direct                   |
| Voltage [V]                 | 220-240V 50/60Hz         |
| Material                    | die-cast aluminium       |
| Length [mm]                 | 1136,6                   |
| Width [mm]                  | 35                       |
| Height [mm]                 | 70                       |
| Pendant length [mm]         | 1500                     |
| IP protection class         | IP20                     |
| Voltage class               | protection cl. I         |
| Shock resistance            | IK03                     |
| Net weight [kg]             | 2,59                     |
| Colour lamp                 | black                    |
| RAL                         | 9005                     |
| Colour adapter/ceiling base | black                    |
| Electric wire               | transparent              |
| EAN-Number                  | 9010506714715            |
| Lifetime [h]                | L80 B10 50 000           |
| Energy efficiency cl.       | E                        |
| No. of luminaires B16A      | 50                       |

LIGHT DISTRIBUTION CURVE



The values are rated values. Power and luminous flux are initially subject to a tolerance of +/- 10%. Colour temperature tolerance: +/- 150 K. The values apply to an ambient temperature of 25°C unless otherwise specified.