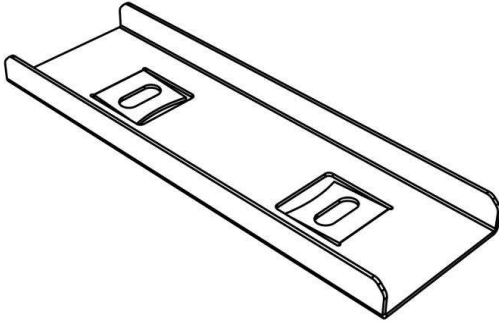


RIDE

577-4300

inside linear connector

**DRAWING****TECHNICAL DETAILS**

Material	metal
Net weight [kg]	0,02
EAN-Number	9008905403859

LIGHT DISTRIBUTION CURVE

The values are rated values. Power and luminous flux are initially subject to a tolerance of +/- 10%. Colour temperature tolerance: +/- 150 K. The values apply to an ambient temperature of 25°C unless otherwise specified.