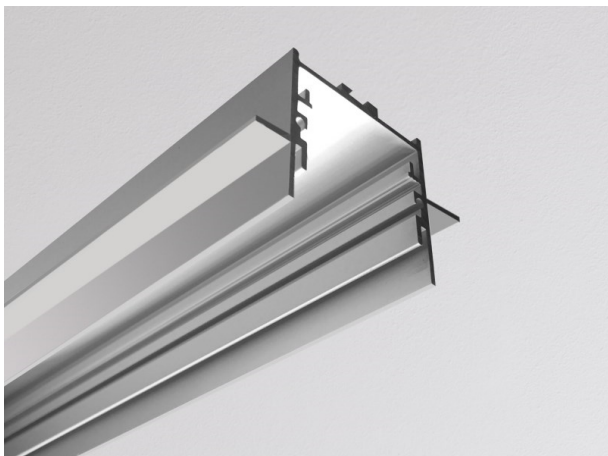


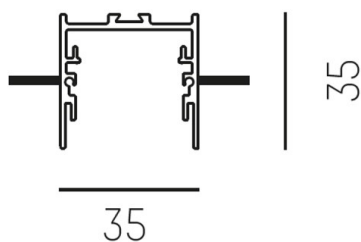
RIDE SYSTEM

577-45200

RIDE PROFIL TRIMLESS R RECESSED PROFILE made of die-cast aluminium, natural anodised, similar to RAL 9006, dimmability: not dimmable, IP20
ATTENTION: for ceiling thickness of 10mm!



DRAWING



TECHNICAL DETAILS

Designer	INHOUSE
Dimming	not dimmable
Material	die-cast aluminium
Width [mm]	65
Height [mm]	35
Ceiling cutout [mm]	35xL+4
Ceiling thickness [mm]	10
Recess depth [mm]	55
IP protection class	IP20
Net weight [kg]	1,58
Colour lamp	natural anodised
RAL	9006
EAN-Number	9010506197358

LIGHT DISTRIBUTION CURVE



The values are rated values. Power and luminous flux are initially subject to a tolerance of +/- 10%. Colour temperature tolerance: +/- 150 K. The values apply to an ambient temperature of 25°C unless otherwise specified.