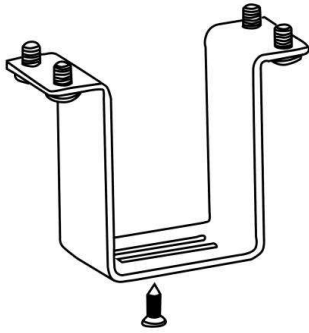


LOG OUT UP DOWN**581-09**

installation set for 3-circuit track

**DRAWING****TECHNICAL DETAILS**

Designer	INHOUSE
Material	metal
IP protection class	IP20
Net weight [kg]	0,08
EAN-Number	9008905224775

LIGHT DISTRIBUTION CURVE

The values are rated values. Power and luminous flux are initially subject to a tolerance of +/- 10%. Colour temperature tolerance: +/- 150 K. The values apply to an ambient temperature of 25°C unless otherwise specified.