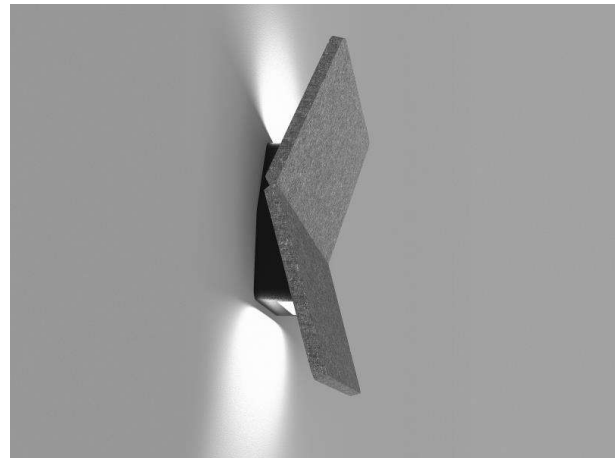


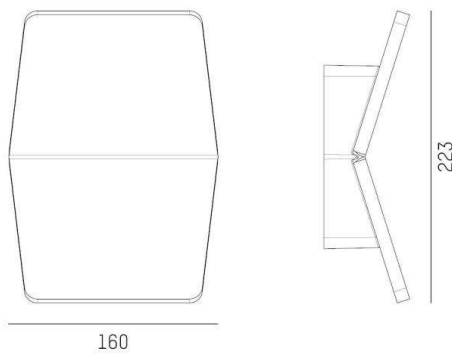
HENDRIK

590-011120400s600

HENDRIK M W SURFACE MOUNTED WALL LUMINAIRE made of aluminium, black, similar to RAL 9005, decor seaweed green, Decorative felt panel made of synthetic polymers OEKO-TEX Standard 100 beam 170°, light output direct / indirect, with converter, dimmability: not dimmable, IP20 Flame retardant according to DIN EN 13501 B-s2, d0



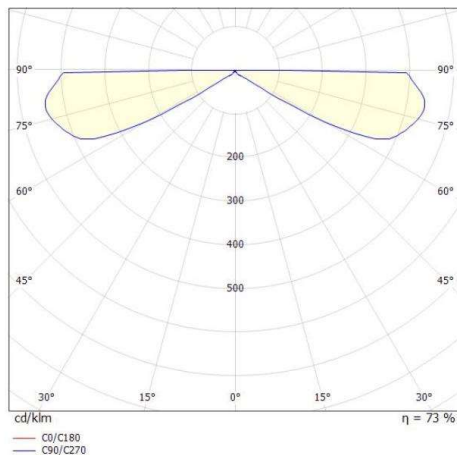
DRAWING



TECHNICAL DETAILS

| | |
|-----------------------|--|
| System perform. [W] | 13 |
| Bulb type | LED |
| Luminous flux [lm] | 350 |
| Colour temp. [K] | 2700/3000K |
| CRI | >90 |
| Optics | Decorative felt panel made of synthetic polymers |
| Designer | INHOUSE |
| Converter | with converter |
| Dimming | not dimmable |
| Light output | direct / indirect |
| Beam angle [°] | 170° |
| Voltage [V] | 220-240V 50/60Hz |
| Material | aluminium |
| Width [mm] | 160 |
| Height [mm] | 63 |
| IP protection class | IP20 |
| Voltage class | protection cl. I |
| Net weight [kg] | 0,75 |
| Colour lamp | black |
| RAL | 9005 |
| Colour decor | seaweed green |
| EAN-Number | 9010506466188 |
| Lifetime [h] | 50 000 L80 B10 |
| Energy efficiency cl. | E |

LIGHT DISTRIBUTION CURVE



The values are rated values. Power and luminous flux are initially subject to a tolerance of +/- 10%. Colour temperature tolerance: +/- 150 K. The values apply to an ambient temperature of 25°C unless otherwise specified.