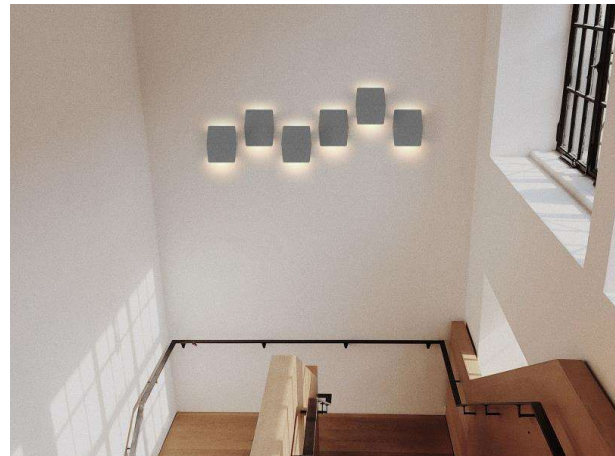


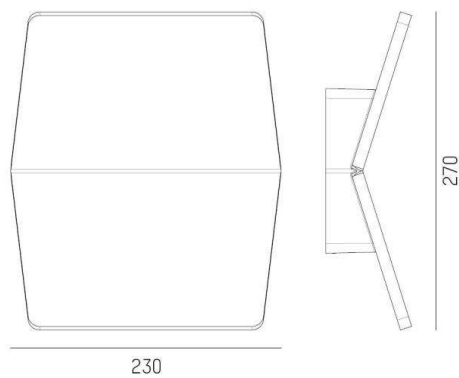
HENDRIK L

590-011130400s600

HENDRIK L W SURFACE MOUNTED WALL LUMINAIRE made of aluminium, black, similar to RAL 9005, decor seaweed green, beam 175°, light output direct, with converter, IP20 Schwer entflammbar nach DIN EN 13501 B-s2,d0



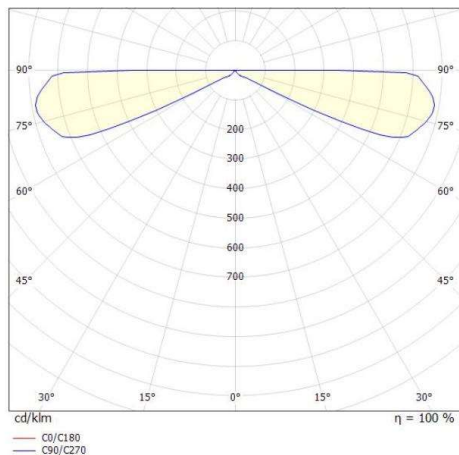
DRAWING



TECHNICAL DETAILS

System perform. [W]	13W
Bulb type	LED
Luminous flux [lm]	240
Colour temp. [K]	2700/3000K
CRI	>90
Designer	INHOUSE
Converter	with converter
Light output	direct
Beam angle [°]	175°
Voltage [V]	220-240V 50/60Hz
Material	aluminium
Width [mm]	230
Height [mm]	73
IP protection class	IP20
Voltage class	protection cl. I
Net weight [kg]	0,82
Colour lamp	black
RAL	9005
Colour decor	seaweed green
EAN-Number	9010506466225
Lifetime [h]	50 000 L80 B10
Energy efficiency cl.	E

LIGHT DISTRIBUTION CURVE



The values are rated values. Power and luminous flux are initially subject to a tolerance of +/- 10%. Colour temperature tolerance: +/- 150 K. The values apply to an ambient temperature of 25°C unless otherwise specified.