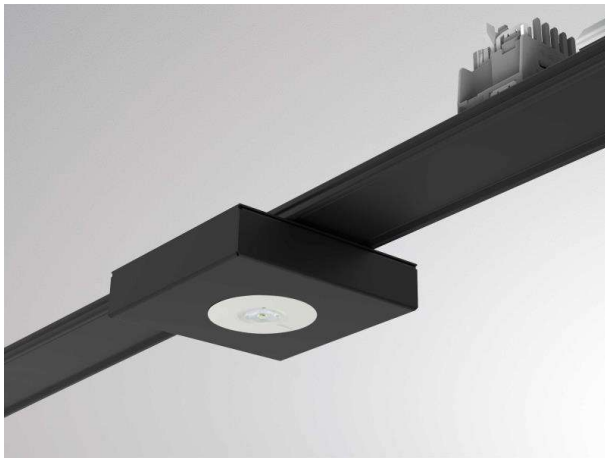


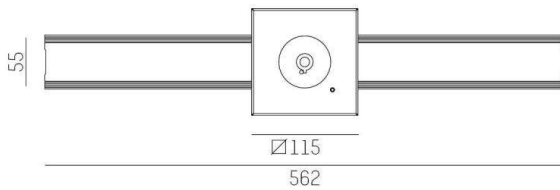
**TRAIL**

**610-0272002000060**

TRAIL LIGHT INSERT EMERGENCY LIGHT FUNCTIONAL INSERT made of steel sheet, black, similar to RAL 9005, high quality plastic lens beam symmetric, light output direct, with converter, dimmability: not dimmable, through wiring 11-polig, IP20 lighting duration: 3h



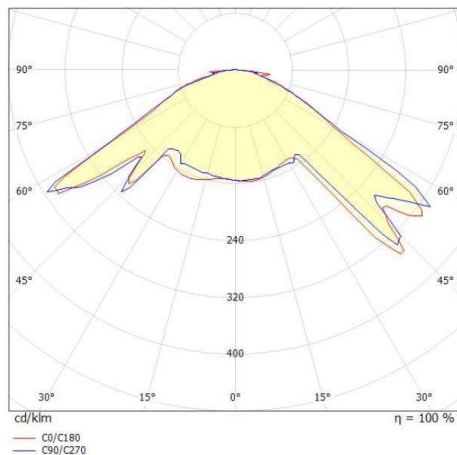
**DRAWING**



**TECHNICAL DETAILS**

System perform. [W]	6
Luminous flux [lm]	320
Colour temp. [K]	6000K
CRI	>80
Optics	high quality plastic lens
Designer	INHOUSE
Converter	with converter
Dimming	not dimmable
Light output	direct
Beam angle [°]	symmetrisch
Voltage [V]	220-240V 50/60Hz
Through wiring	11-polig
Material	steel sheet
Length [mm]	565
Width [mm]	58
Height [mm]	26
Diameter [mm]	115
IP protection class	IP20
Voltage class	protection cl. I
Net weight [kg]	2,45
Colour lamp	black
RAL	9005
EAN-Number	9010506452624
Lifetime [h]	L80 B10 50 000

**LIGHT DISTRIBUTION CURVE**



The values are rated values. Power and luminous flux are initially subject to a tolerance of +/- 10%. Colour temperature tolerance: +/- 150 K. The values apply to an ambient temperature of 25°C unless otherwise specified.