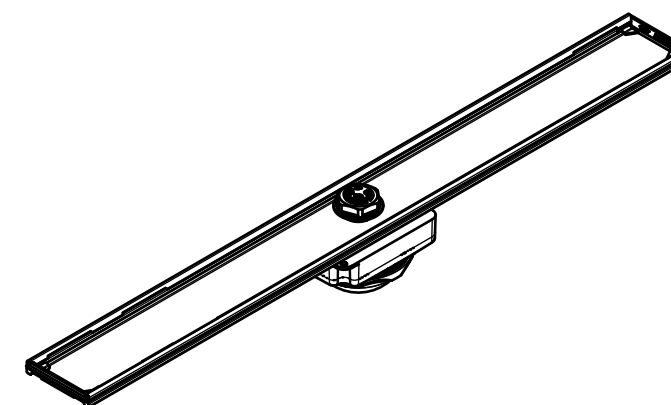
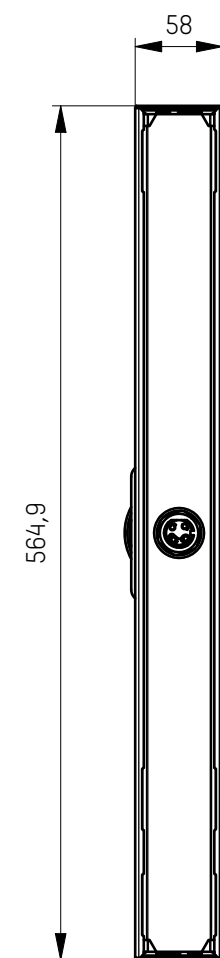
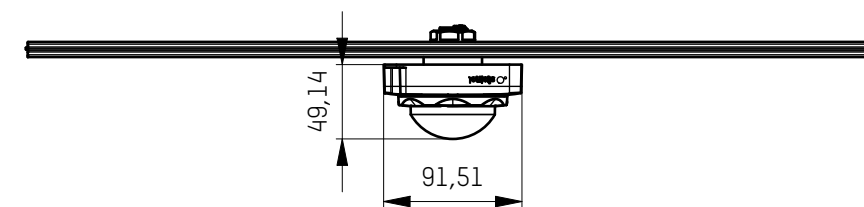
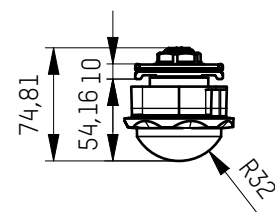


**SURFACE KEY**

MAGENTA	visible (general) surface
RED	70-120µm (main surface)
GREEN	40-120µm (secondary surface)
CYAN	0-120µm (tertiary surface)
BLUE	only powdermist allowed
ORANGE	free of coating
VIOLETT	high gloss
WITHOUT COLOUR	raw



00	first release	11.05.2023	Ansola
rev.	description	checked date	checked by
REVISIONS-HISTORY			

technical information / manufacturing note		general manufacturing tolerances N/A	drawn by Ansola	<b>MOLTO LUCE®</b>
		material ACC. TECHN. INFO	creation date 11.05.2023	
weight 0,000 kg	surface 134252 mm^2	0,500 mm	description SIMPLE	drawing number ENG000029112
surface finish N/A	surface according ISO 1302	undimensioned edges according DIN ISO 13715	article number 610-0294xxxxxxxxxx	
all dimensions and tolerances related uncoated surfaces		threads must be free of coating max. thickness of coating: 120µm	scale 1 : 5	

The unauthorized and / or against the rules use of these documents and possible attachment are not permitted and are judicially pursued