

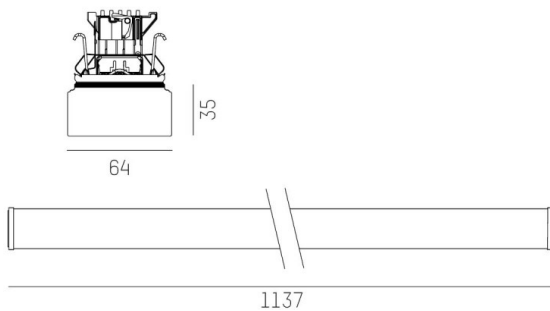
TRAIL

610-125702101905d

TRAIL LIGHT INSERT CUBIC OPAL MOUNTING RAIL LIGHT INSERT made of aluminium, white, similar to RAL 9016, PMMA diffuser cubic light output direct / indirect, UGR <28, with converter, max. 400mA, dimmability: DALI, through wiring 7-polig, IP54



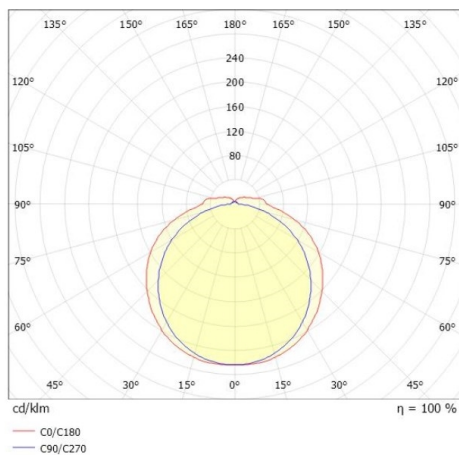
DRAWING



TECHNICAL DETAILS

| | |
|------------------------|---------------------|
| System perform. [W] | 40 |
| Bulb type | LED |
| Luminous flux [lm] | 5790 |
| Current sec. [mA] | 400 |
| Colour temp. [K] | 3000K |
| CRI | >80 |
| UGR | <28 |
| Optics | PMMA diffuser cubic |
| Designer | INHOUSE |
| Converter | with converter |
| Light output | direct / indirect |
| Voltage [V] | 220-240V 50/60Hz |
| Through wiring | 7-polig |
| Material | aluminium |
| Length [mm] | 1137 |
| Width [mm] | 64 |
| Height [mm] | 25 |
| IP protection class | IP54 |
| Voltage class | protection cl. I |
| Shock resistance | IK01 |
| Net weight [kg] | 2,05 |
| Colour lamp | white |
| RAL | 9016 |
| EAN-Number | 9010506886917 |
| Lifetime [h] | L90 B10 100 000 |
| Ambient temperature | -20° bis +50° |
| Energy efficiency cl. | C |
| No. of luminaires B16A | 24 |
| IFS suitable | Yes |

LIGHT DISTRIBUTION CURVE



The values are rated values. Power and luminous flux are initially subject to a tolerance of +/- 10%. Colour temperature tolerance: +/- 150 K. The values apply to an ambient temperature of 25°C unless otherwise specified.