

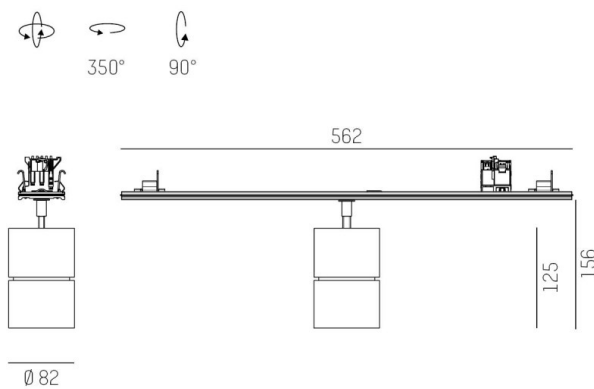
TRAIL

610-1300041149550

TRAIL MOVA M MOUNTING RAIL LIGHT INSERT made of aluminium, white, similar to RAL 9016, decor white, high-efficiently vacuum deposited aluminium reflector without safety glass beam asymmetric, light output direct, swiveling 350, tilting 90, with converter, max. 800mA, dimmability: not dimmable, through wiring 7-polig, adapter/ceiling base white, IP20



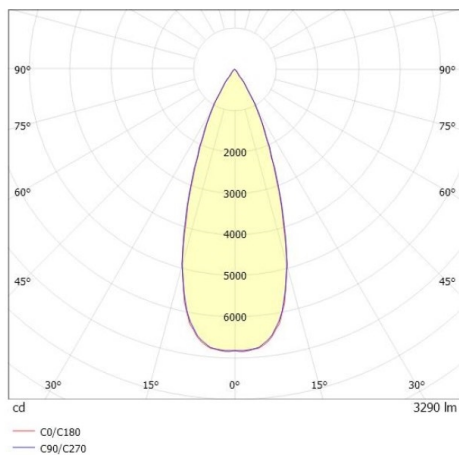
DRAWING



TECHNICAL DETAILS

|                             |  |
|-----------------------------|--|
| System perform. [W]         | 31   |
| Bulb type                   | LED  |
| Luminous flux [lm]          | 3290   |
| Current sec. [mA]           | 800  |
| Colour temp. [K]            | 3000K  |
| CRI                         | PREMIUM>90                                   |
| Optics                      | aluminium reflector without protection glass |
| Designer                    | INHOUSE                                      |
| Converter                   | with converter                               |
| Dimming                     | not dimmable                                 |
| Light output                | direct                                       |
| Beam angle [°]              | asymmetrisch                                 |
| Voltage [V]                 | 220-240V 50/60Hz                             |
| Through wiring              | 7-polig                                      |
| Material                    | aluminium                                    |
| Length [mm]                 | 564,9  |
| Height [mm]                 | 156  |
| Diameter [mm]               | 82   |
| IP protection class         | IP20   |
| Voltage class               | protection cl. I                             |
| Net weight [kg]             | 0,94   |
| Colour lamp                 | white  |
| RAL                         | 9016   |
| Colour adapter/ceiling base | white  |
| Colour decor                | white  |
| EAN-Number                  | 9010870132047                                |
| Lifetime [h]                | L80 B10 50 000                               |
| Energy efficiency cl.       | E  |
| No. of luminaires B16A      | 50   |

LIGHT DISTRIBUTION CURVE



The values are rated values. Power and luminous flux are initially subject to a tolerance of +/- 10%. Colour temperature tolerance: +/- 150 K. The values apply to an ambient temperature of 25°C unless otherwise specified.