

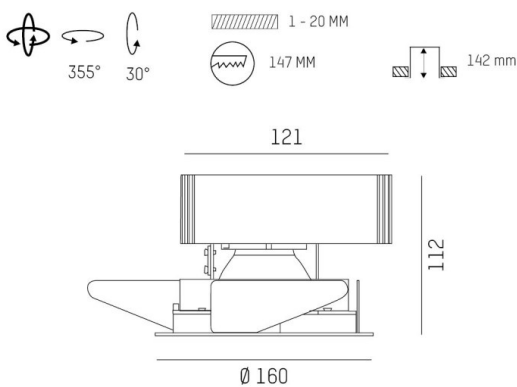
ONLY M

619-00201054305v2

ONLY M R RECESSED SPOTLIGHT made of metal, white, similar to RAL 9016, high-efficiently vacuum deposited aluminium reflector beam 29°, light output direct, swiveling 355°, tilting 30°, without converter, max. 700/900/1050mA, dimmability: see converter, IP20



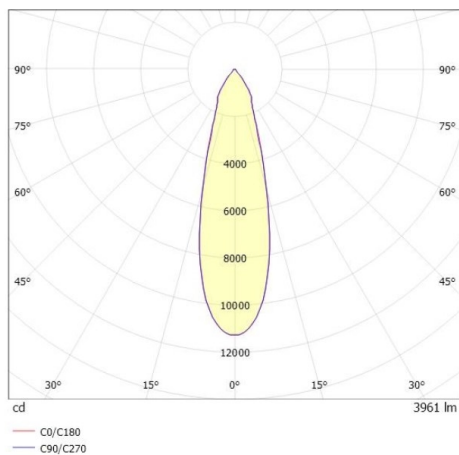
DRAWING



TECHNICAL DETAILS

| | |
|------------------------|--------------------------------------|
| Bulb type | LED 23W/30W/36W |
| Luminous flux [lm] | 2780/3470/3960 |
| Current sec. [mA] | 700/900/1050 |
| Colour temp. [K] | 2700K |
| CRI | PREMIUM>90 |
| Optics | vacuum deposited aluminium reflector |
| Designer | INHOUSE |
| Converter | without converter |
| Dimming | see converter |
| Light output | direct |
| Beam angle [°] | 29° |
| Material | metal |
| Height [mm] | 112 |
| Diameter [mm] | 160 |
| Ceiling cutout [mm] | 147 |
| Ceiling thickness [mm] | 1-20 |
| Recess depth [mm] | 142 |
| IP protection class | IP20 |
| Voltage class | protection cl. II |
| Net weight [kg] | 0,81 |
| Colour lamp | white |
| RAL | 9016 |
| EAN-Number | 9010870135819 |
| Lifetime [h] | L80 B10 50 000 |
| Energy efficiency cl. | E |

LIGHT DISTRIBUTION CURVE



The values are rated values. Power and luminous flux are initially subject to a tolerance of +/- 10%. Colour temperature tolerance: +/- 150 K. The values apply to an ambient temperature of 25°C unless otherwise specified.