

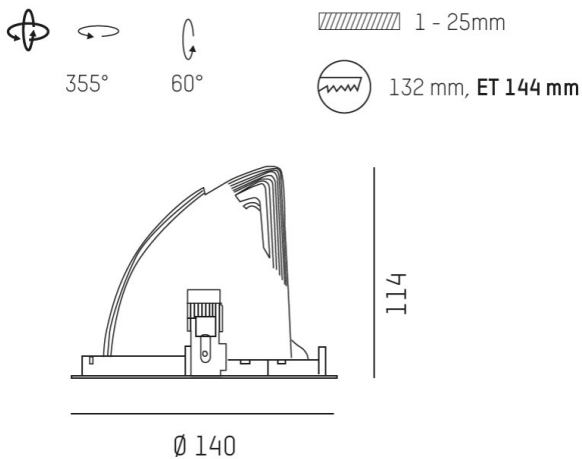
SAVO 10

633-00101082405v2

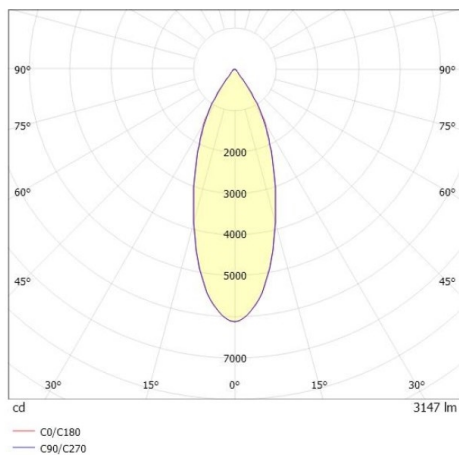
SAVO 10 R RECESSED SPOTLIGHT made of aluminium, white, similar to RAL 9016, high-efficiently vacuum deposited aluminium reflector beam 40°, light output direct, swiveling 355°, tilting 60°, without converter, max. 350/500/700mA, dimmability: see converter, IP20



DRAWING



LIGHT DISTRIBUTION CURVE



TECHNICAL DETAILS

| | |
|------------------------|--------------------------------------|
| Bulb type | LED 12/17/24W |
| Luminous flux [lm] | 1700/2350/3140 |
| Current sec. [mA] | 350/500/700 |
| Colour temp. [K] | 4000K |
| CRI | >90 |
| Optics | vacuum deposited aluminium reflector |
| Designer | INHOUSE |
| Converter | without converter |
| Dimming | see converter |
| Light output | direct |
| Beam angle [°] | 40° |
| Material | aluminium |
| Height [mm] | 114 |
| Diameter [mm] | 140 |
| Ceiling cutout [mm] | 132 |
| Ceiling thickness [mm] | 1-25 |
| Recess depth [mm] | 144 |
| IP protection class | IP20 |
| Voltage class | protection cl. II |
| Net weight [kg] | 0,95 |
| Colour lamp | white |
| RAL | 9016 |
| EAN-Number | 9010870126831 |
| Lifetime [h] | L80 B10 50 000 |
| Energy efficiency cl. | D |



The values are rated values. Power and luminous flux are initially subject to a tolerance of +/- 10%. Colour temperature tolerance: +/- 150 K. The values apply to an ambient temperature of 25°C unless otherwise specified.