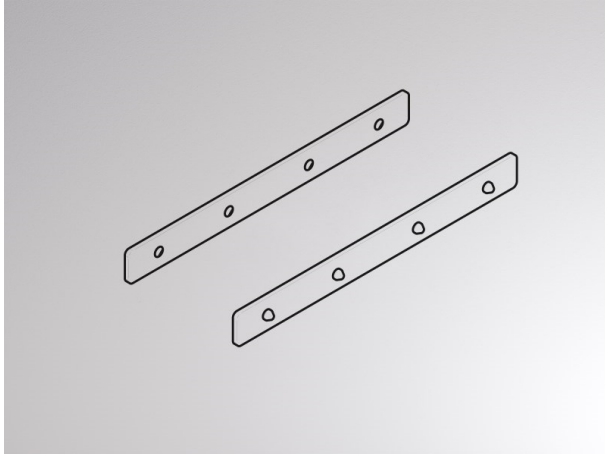


RIDE LENS**634-420**

linear connector inside for Ride Lens system

**DRAWING****TECHNICAL DETAILS**

Dimming	not dimmable
Length [mm]	90
IP protection class	IP20
Net weight [kg]	0,02
EAN-Number	9008905553318

LIGHT DISTRIBUTION CURVE

energy label



The values are rated values. Power and luminous flux are initially subject to a tolerance of +/- 10%. Colour temperature tolerance: +/- 150 K. The values apply to an ambient temperature of 25°C unless otherwise specified.