

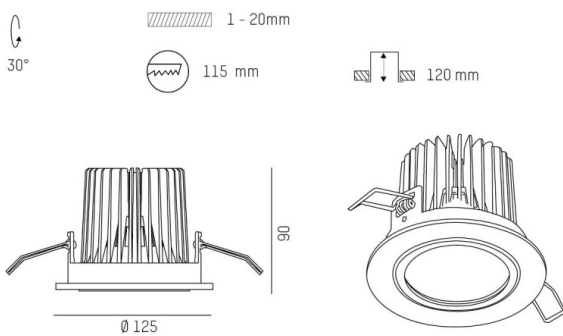
NOW 2 ROUND

635-00100082406v1

NOW 2 ROUND R RECESSED SPOTLIGHT made of aluminium, black, similar to RAL 9005, high-efficiently vacuum deposited aluminium reflector beam 40°, light output direct, tilting 30°, without converter, max. 350/500mA, dimmability: see converter, IP20



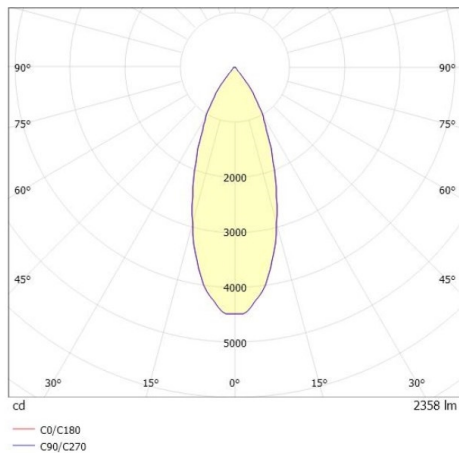
DRAWING



TECHNICAL DETAILS

|                        |                                      |
|------------------------|--------------------------------------|
| Bulb type              | LED 12W/17W                          |
| Luminous flux [lm]     | 1710/2350                            |
| Current sec. [mA]      | 350/500                              |
| Colour temp. [K]       | 4000K                                |
| CRI                    | >90                                  |
| Optics                 | vacuum deposited aluminium reflector |
| Designer               | INHOUSE                              |
| Converter              | without converter                    |
| Dimming                | see converter                        |
| Light output           | direct                               |
| Beam angle [°]         | 40°                                  |
| Material               | aluminium                            |
| Height [mm]            | 90                                   |
| Diameter [mm]          | 125                                  |
| Ceiling cutout [mm]    | 115                                  |
| Ceiling thickness [mm] | 1-20                                 |
| Recess depth [mm]      | 120                                  |
| IP protection class    | IP20                                 |
| Voltage class          | protection cl. II                    |
| Net weight [kg]        | 0,54                                 |
| Colour lamp            | black                                |
| RAL                    | 9005                                 |
| EAN-Number             | 9010870124592                        |
| Lifetime [h]           | L80 B10 50 000                       |
| Energy efficiency cl.  | D                                    |

LIGHT DISTRIBUTION CURVE



The values are rated values. Power and luminous flux are initially subject to a tolerance of +/- 10%. Colour temperature tolerance: +/- 150 K. The values apply to an ambient temperature of 25°C unless otherwise specified.