

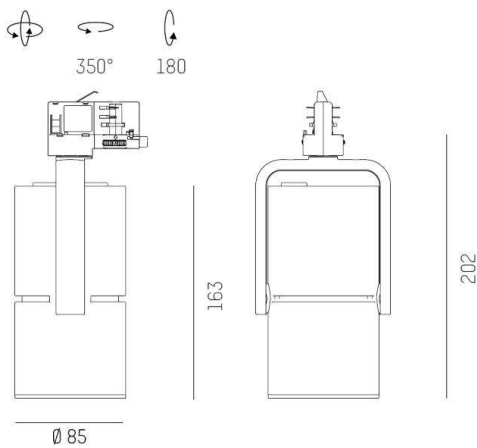
2G0

637-001020249060v2

2 G0 TRACK TRACK SPOTLIGHT WITH 3 PH ADAPTER made of aluminium, black, similar to RAL 9005,high-efficiently vacuum deposited aluminium reflector beam 24°, light output direct, swiveling 350°, tilting 180°, with converter, max. 700mA, dimmability: not dimmable, IP20



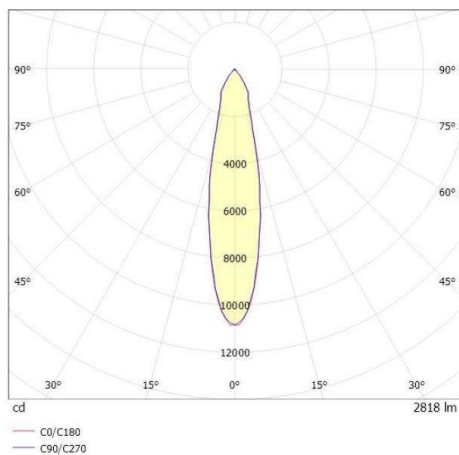
DRAWING



TECHNICAL DETAILS

| | |
|------------------------|--------------------------------------|
| System perform. [W] | 27 |
| Bulb type | LED |
| Luminous flux [lm] | 2820 |
| Current sec. [mA] | 700 |
| Colour temp. [K] | 3000K |
| CRI | PREMIUM>90 |
| Optics | vacuum deposited aluminium reflector |
| Designer | INHOUSE |
| Converter | with converter |
| Dimming | not dimmable |
| Light output | direct |
| Beam angle [°] | 24° |
| Voltage [V] | 220-240V 50/60Hz |
| Material | aluminium |
| Length [mm] | 163 |
| Width [mm] | 103 |
| Height [mm] | 202 |
| Diameter [mm] | 85 |
| IP protection class | IP20 |
| Voltage class | protection cl. I |
| Shock resistance | IK04 |
| Net weight [kg] | 1,08 |
| Colour lamp | black |
| RAL | 9005 |
| EAN-Number | 9010870106734 |
| Lifetime [h] | L80 B10 50 000 |
| Energy efficiency cl. | E |
| No. of luminaires B16A | 34 |

LIGHT DISTRIBUTION CURVE



The values are rated values. Power and luminous flux are initially subject to a tolerance of +/- 10%. Colour temperature tolerance: +/- 150 K. The values apply to an ambient temperature of 25°C unless otherwise specified.