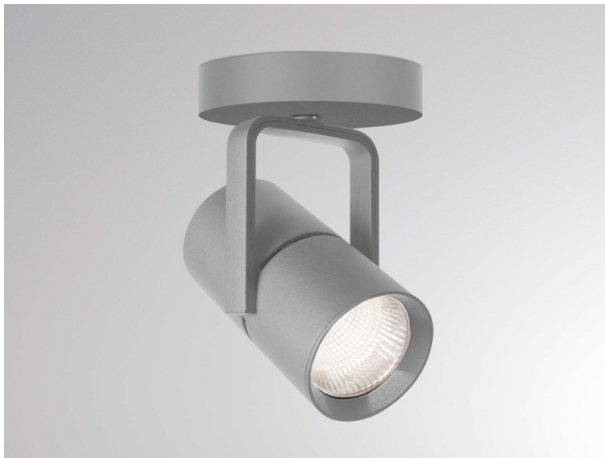


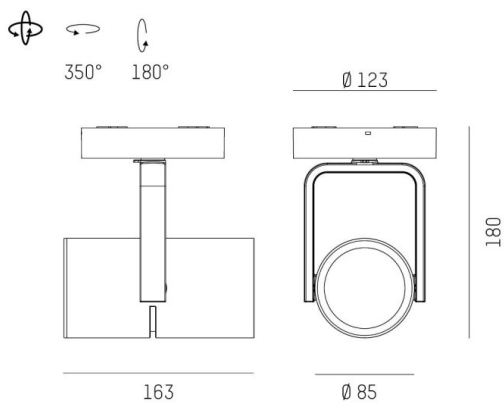
2G0

637-005010324040v2

2 G0 SD SURFACE MOUNTED SPOTLIGHT made of aluminium, grey, similar to RAL 9006, high-efficiently vacuum deposited aluminium reflector beam 40°, light output direct, swiveling 350°, tilting 180°, with converter, max. 500mA, dimmability: not dimmable, adapter/ceiling base grey, IP20



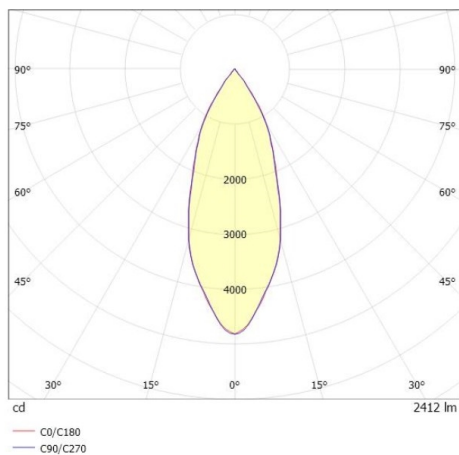
DRAWING



TECHNICAL DETAILS

| | |
|-----------------------------|--------------------------------------|
| System perform. [W] | 19 |
| Bulb type | LED |
| Luminous flux [lm] | 2410 |
| Current sec. [mA] | 500 |
| Colour temp. [K] | 4000K |
| CRI | >90 |
| Optics | vacuum deposited aluminium reflector |
| Designer | INHOUSE |
| Converter | with converter |
| Dimming | not dimmable |
| Light output | direct |
| Beam angle [°] | 40° |
| Voltage [V] | 220-240V 50/60Hz |
| Material | aluminium |
| Length [mm] | 174,9 |
| Height [mm] | 180 |
| Diameter [mm] | 85 |
| IP protection class | IP20 |
| Voltage class | protection cl. I |
| Shock resistance | IK04 |
| Net weight [kg] | 1,01 |
| Colour lamp | grey |
| RAL | 9006 |
| Colour adapter/ceiling base | grey |
| EAN-Number | 9010870108745 |
| Lifetime [h] | L80 B10 50 000 |
| Energy efficiency cl. | D |
| No. of luminaires B16A | 34 |

LIGHT DISTRIBUTION CURVE



The values are rated values. Power and luminous flux are initially subject to a tolerance of +/- 10%. Colour temperature tolerance: +/- 150 K. The values apply to an ambient temperature of 25°C unless otherwise specified.