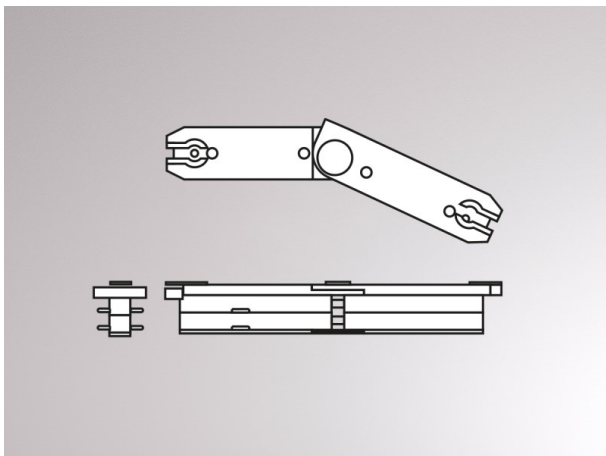
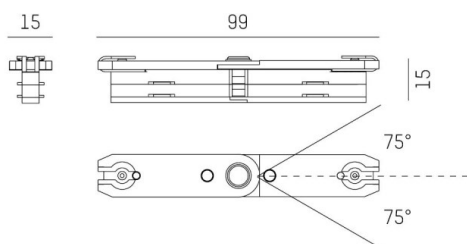


VOLARE

652-0030300006

Flexible connector, chrome, 4x1,5mm², electrical connection between 2 tracks, 75 - 150°

DRAWING



TECHNICAL DETAILS

Designer	Doc Form
Dimming	not dimmable
Voltage [V]	220-240V 50/60HZ 2x10A
Material	metal
Length [mm]	110
Width [mm]	15
Height [mm]	15
IP protection class	IP20
Net weight [kg]	0,10
Colour lamp	black chrome
EAN-Number	9010870142732

LIGHT DISTRIBUTION CURVE



The values are rated values. Power and luminous flux are initially subject to a tolerance of +/- 10%. Colour temperature tolerance: +/- 150 K. The values apply to an ambient temperature of 25°C unless otherwise specified.