

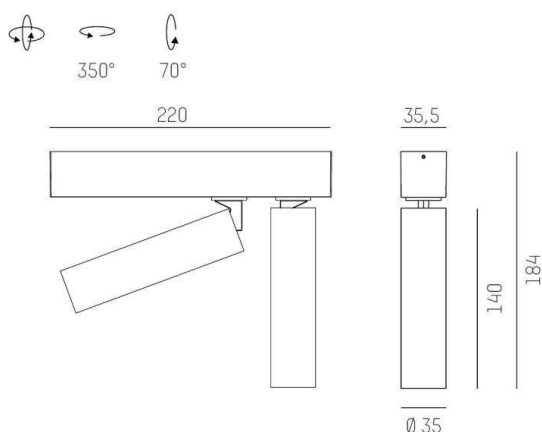
TRIGGA

662-010050229550

TRIGGA 2 SD WALL / CEILING LUMINAIRE made of aluminium, white matt, similar to RAL 9016, anti-glare LFO lens due to microfaceted structure beam 30°, light output direct, UGR <16, swiveling 350°, tilting 70°, with converter, max. 500mA, dimmability: not dimmable, IP20



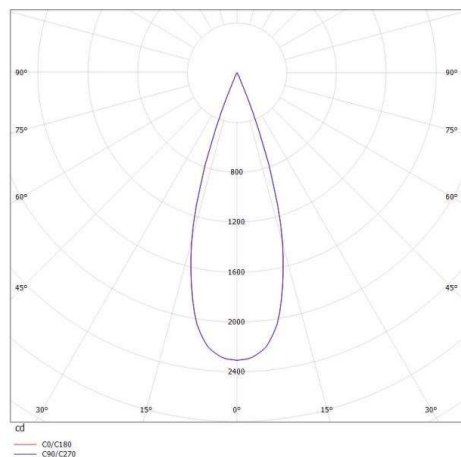
DRAWING



TECHNICAL DETAILS

| | |
|------------------------|-------------------|
| System perform. [W] | 15 |
| Bulb type | LED |
| Luminous flux [lm] | 650 |
| Current sec. [mA] | 500 |
| Colour temp. [K] | 3000K |
| CRI | >90 |
| UGR | <16 |
| Optics | LFO lens |
| Designer | Serge Cornelissen |
| Converter | with converter |
| Dimming | not dimmable |
| Light output | direct |
| Beam angle [°] | 30° |
| Voltage [V] | 220-240V 50/60Hz |
| Material | aluminium |
| Width [mm] | 35,5 |
| Height [mm] | 184 |
| Diameter [mm] | 35 |
| IP protection class | IP20 |
| Voltage class | protection cl. II |
| Net weight [kg] | 0,59 |
| Color lamp | white matt |
| RAL | 9016 |
| EAN-Number | 9008905731280 |
| Lifetime [h] | L80 B10 50 000 |
| Energy efficiency cl. | 6 |
| No. of luminaires B16A | 27 |

LIGHT DISTRIBUTION CURVE



The values are rated values. Power and luminous flux are initially subject to a tolerance of +/- 10%. Colour temperature tolerance: +/- 150 K. The values apply to an ambient temperature of 25°C unless otherwise specified.