

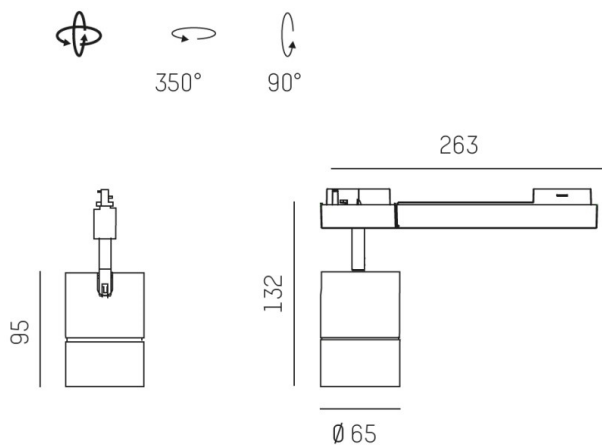
DASH DC

676-003000449550v1

DASH DC VOLARE TRACK SPOTLIGHT WITH 2 PH VOLARE ADAPTER made of aluminium, white matt, similar to RAL 9016,high-efficiently vacuum deposited aluminium reflector beam 60°, light output direct, swiveling 350°, tilting 90°, with converter, max. 400mA, dimmability: not dimmable, adapter/ceiling base white matt, IP20



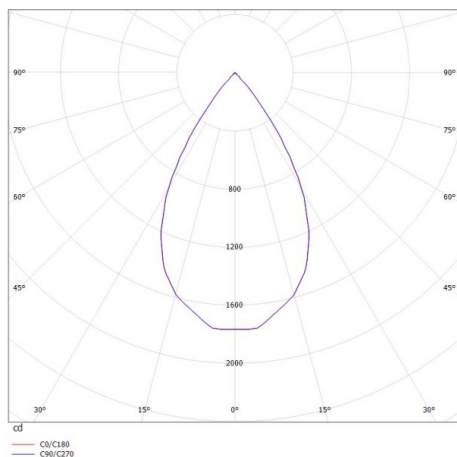
DRAWING



TECHNICAL DETAILS

System perform. [W]	16
Bulb type	LED
Luminous flux [lm]	1550
Current sec. [mA]	400
Colour temp. [K]	3000K
CRI	PREMIUM>90
Optics	vacuum deposited aluminium reflector
Designer	INHOUSE
Converter	with converter
Dimming	not dimmable
Light output	direct
Beam angle [°]	60°
Voltage [V]	220-240V 50/60Hz
Material	aluminium
Length [mm]	263
Height [mm]	95
Diameter [mm]	65
Troat [mm]	132
IP protection class	IP20
Voltage class	protection cl. II
Net weight [kg]	0,47
Colour lamp	white matt
RAL	9016
Colour adapter/ceiling base	white matt
EAN-Number	9010506106008
Lifetime [h]	L80 B10 50 000
Energy efficiency cl.	E
No. of luminaires B16A	27

LIGHT DISTRIBUTION CURVE



The values are rated values. Power and luminous flux are initially subject to a tolerance of +/- 10%. Colour temperature tolerance: +/- 150 K. The values apply to an ambient temperature of 25°C unless otherwise specified.