

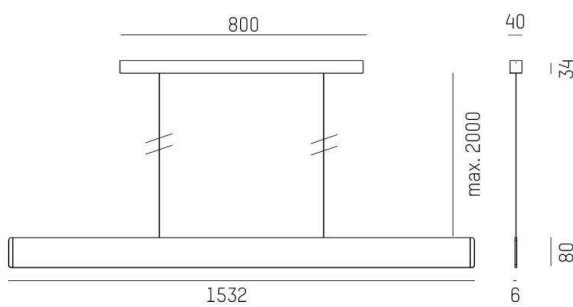
AFTER 8

678-0040110272rb

AFTER 8 LONG PDI SUSPENSION made of aluminium, schiefer eloxiert, opal diffuser light output direct / indirect 60:40, with converter, max. 1050mA, dimmability: Smart bluetooth, cable Tension control in the suspension ropes, adapter/ceiling base white, pendant length 2000mm, IP20



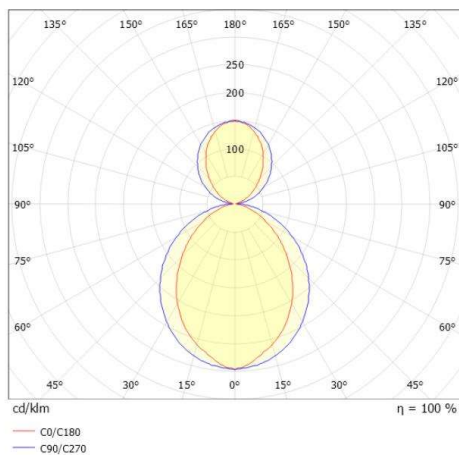
DRAWING



TECHNICAL DETAILS

|                             |   |
|-----------------------------|---|
| System perform. [W]         | 51                                      |
| Bulb type                   | LED                                     |
| Luminous flux [lm]          | 2240                                    |
| Current sec. [mA]           | 1050                                    |
| Colour temp. [K]            | 3500K                                   |
| CRI                         | >90                                     |
| Optics                      | opal diffuser                           |
| Designer                    | INHOUSE                                 |
| Converter                   | with converter                          |
| Light output                | direct / indirect 60:40                 |
| Voltage [V]                 | 220-240V 50/60Hz                        |
| Material                    | aluminium                               |
| Length [mm]                 | 1532                                    |
| Width [mm]                  | 6                                       |
| Height [mm]                 | 80                                      |
| Pendant length [mm]         | 2000                                    |
| IP protection class         | IP20                                    |
| Voltage class               | protection cl. I                        |
| Net weight [kg]             | 3,76                                    |
| Colour adapter/ceiling base | white                                   |
| Electric wire               | Tension control in the suspension ropes |
| EAN-Number                  | 9010870368804                           |
| Lifetime [h]                | L80 B10 50 000                          |
| Energy efficiency cl.       | E                                       |
| No. of luminaires B16A      | 24                                      |

LIGHT DISTRIBUTION CURVE



The values are rated values. Power and luminous flux are initially subject to a tolerance of +/- 10%. Colour temperature tolerance: +/- 150 K. The values apply to an ambient temperature of 25°C unless otherwise specified.