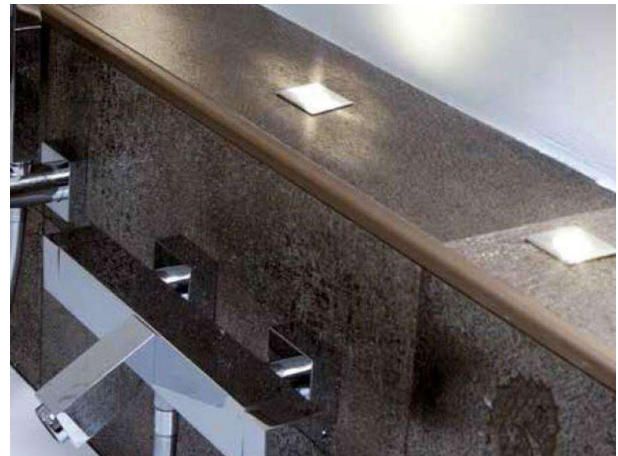


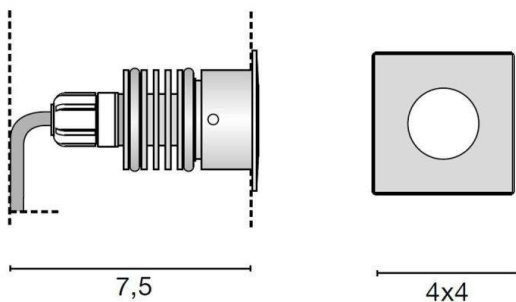
**ZEPPELIN**

**68-634933ww**

ZEPPELIN QUADRO LED RECESSED SPOTLIGHT made of steel, stainless steel matt, beam 70°, light output direct, without converter, max. 350/500mA, dimmable not dimmable, IP67



**DRAWING**

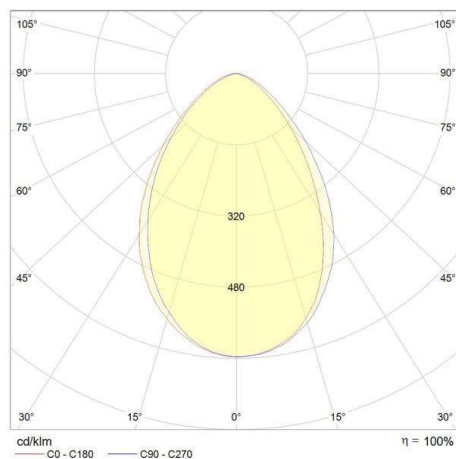


**TECHNICAL DETAILS**

|                     |                   |
|---------------------|-------------------|
| System perform. [W] | 2                 |
| Bulb type           | LED 2W            |
| Luminous flux [lm]  | 60                |
| Current sec. [mA]   | 350/500           |
| Colour temp. [K]    | 3000K             |
| CRI                 | >80               |
| Converter           | without converter |
| Dimming             | nicht dimmbar     |
| Light output        | direct            |
| Beam angle [°]      | 70°               |
| Material            | steel             |

|                     |                    |
|---------------------|--------------------|
| Length [mm]         | 40                 |
| Width [mm]          | 40                 |
| Height [mm]         | 60                 |
| Ceiling cutout [mm] | 30                 |
| Recess depth [mm]   | 75                 |
| IP protection class | IP67               |
| Voltage class       | protection cl. III |
| Net weight [kg]     | 0,11               |

**LIGHT DISTRIBUTION CURVE**



|                       |                      |
|-----------------------|----------------------|
| Color lamp            | stainless steel matt |
| EAN-Number            | 9010506371055        |
| Lifetime [h]          | 35 000               |
| Energy efficiency cl. | A+++                 |



The values are rated values. Power and luminous flux are initially subject to a tolerance of +/- 10%. Colour temperature tolerance: +/- 150 K. The values apply to an ambient temperature of 25°C unless otherwise specified.