

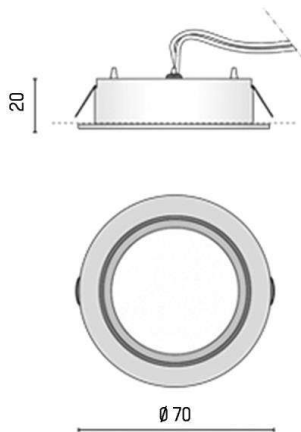
ZEN

68-636501w

ZEN RECESSED SPOTLIGHT made of aluminium, white, light output direct, without converter, max. 500mA, dimmable not dimmable, IP40



DRAWING



LIGHT DISTRIBUTION CURVE

TECHNICAL DETAILS

System perform. [W]	2
Bulb type	LED 2W
Luminous flux [lm]	209
Current sec. [mA]	500
Colour temp. [K]	4000K
CRI	>80
Converter	without converter
Dimming	nicht dimmbar
Light output	direct
Material	aluminium
Diameter [mm]	70
Ceiling cutout [mm]	60
Recess depth [mm]	20
IP protection class	IP40
Voltage class	protection cl. III
Net weight [kg]	0,07
Color lamp	white
Lifetime [h]	35 000
Energy efficiency cl.	A++-A



The values are rated values. Power and luminous flux are initially subject to a tolerance of +/- 10%. Colour temperature tolerance: +/- 150 K. The values apply to an ambient temperature of 25°C unless otherwise specified.