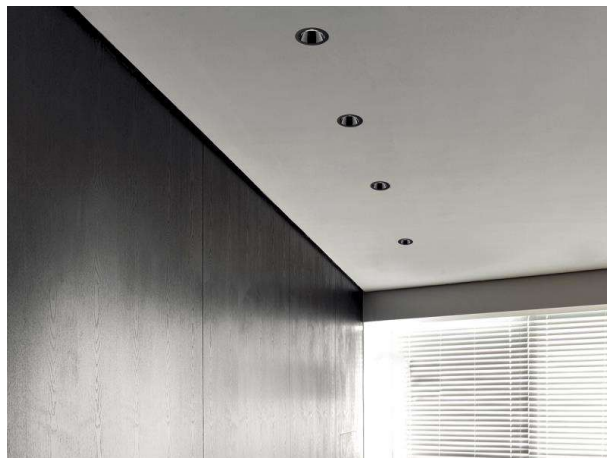


DARK NIGHT XS

684-00303084905v1

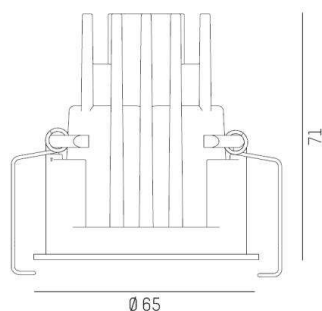
DARK NIGHT XS R RECESSED SPOTLIGHT made of aluminium, white, similar to RAL 9016, decor black, high-efficiently vacuum deposited aluminium reflector beam 60°, light output direct, UGR <19, without converter, max. 250/350mA, dimmability: see converter, IP20



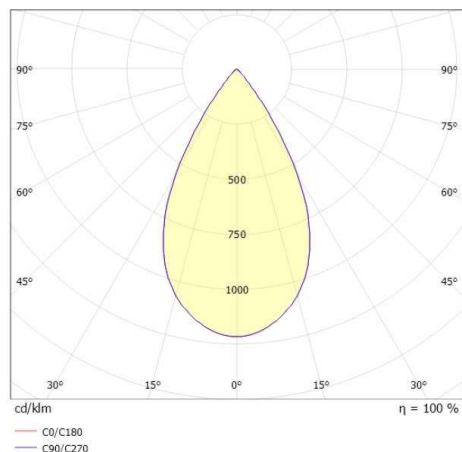
DRAWING

 1 - 25 mm

 60 mm, ET 91 mm



LIGHT DISTRIBUTION CURVE



TECHNICAL DETAILS

Bulb type	LED 9/13W
Luminous flux [lm]	870/1170
Current sec. [mA]	250/350
Colour temp. [K]	3000K
CRI	PREMIUM>90
UGR	<19
Optics	vacuum deposited aluminium reflector
Designer	INHOUSE
Converter	without converter
Dimming	see converter
Light output	direct
Beam angle [°]	60°
Material	aluminium
Height [mm]	78
Diameter [mm]	65
Ceiling cutout [mm]	60
Ceiling thickness [mm]	1-25
Recess depth [mm]	108
IP protection class	IP20
Voltage class	protection cl. II
Shock resistance	IK02
Net weight [kg]	0,21
Colour lamp	white
RAL	9016
Colour decor	black
EAN-Number	9010506862119
Lifetime [h]	L80 B10 50 000
Energy efficiency cl.	E



The values are rated values. Power and luminous flux are initially subject to a tolerance of +/- 10%. Colour temperature tolerance: +/- 150 K. The values apply to an ambient temperature of 25°C unless otherwise specified.