

DARK NIGHT XS

684-00304084906v1

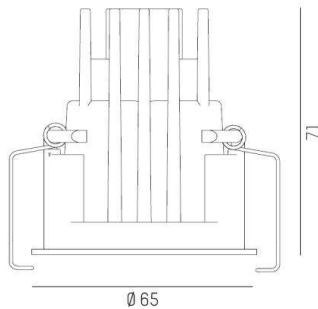
DARK NIGHT XS R RECESSED SPOTLIGHT made of aluminium, black matt, similar to RAL 9005, decor gold,high-efficiently vacuum deposited aluminium reflector beam 60°, light output direct, UGR <19, without converter, max. 250/350mA, dimmability: see converter, IP20



DRAWING

 1 - 25 mm

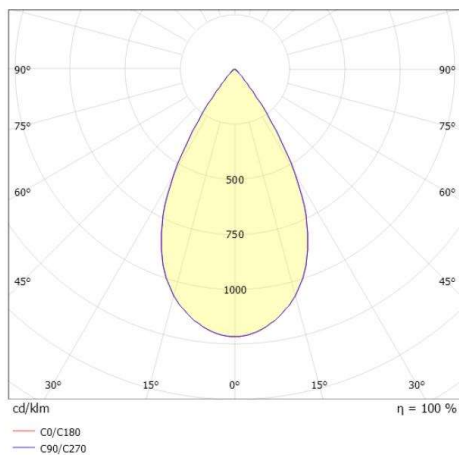
 60 mm, ET 91 mm



TECHNICAL DETAILS

| | |
|------------------------|--------------------------------------|
| Bulb type | LED 9/13W |
| Luminous flux [lm] | 870/1170 |
| Current sec. [mA] | 250/350 |
| Colour temp. [K] | 3000K |
| CRI | PREMIUM>90 |
| UGR | <19 |
| Optics | vacuum deposited aluminium reflector |
| Designer | INHOUSE |
| Converter | without converter |
| Dimming | see converter |
| Light output | direct |
| Beam angle [°] | 60° |
| Material | aluminium |
| Height [mm] | 78 |
| Diameter [mm] | 65 |
| Ceiling cutout [mm] | 60 |
| Ceiling thickness [mm] | 1-25 |
| Recess depth [mm] | 108 |
| IP protection class | IP20 |
| Voltage class | protection cl. II |
| Shock resistance | IK02 |
| Net weight [kg] | 0,34 |

LIGHT DISTRIBUTION CURVE



| | |
|-----------------------|----------------|
| Colour lamp | black matt |
| RAL | 9005 |
| Colour decor | gold |
| EAN-Number | 9010506862218 |
| Lifetime [h] | L80 B10 50 000 |
| Energy efficiency cl. | E |



The values are rated values. Power and luminous flux are initially subject to a tolerance of +/- 10%. Colour temperature tolerance: +/- 150 K. The values apply to an ambient temperature of 25°C unless otherwise specified.