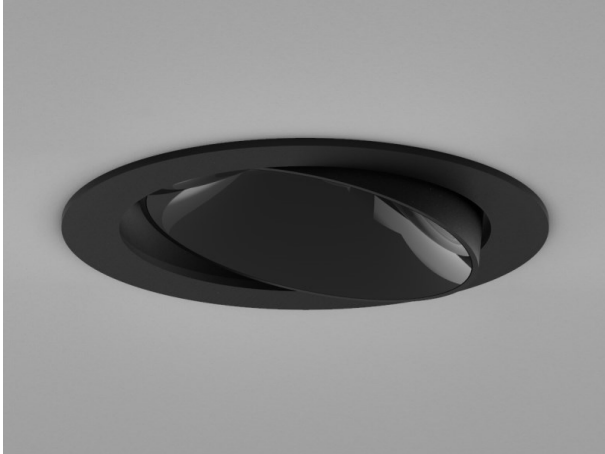


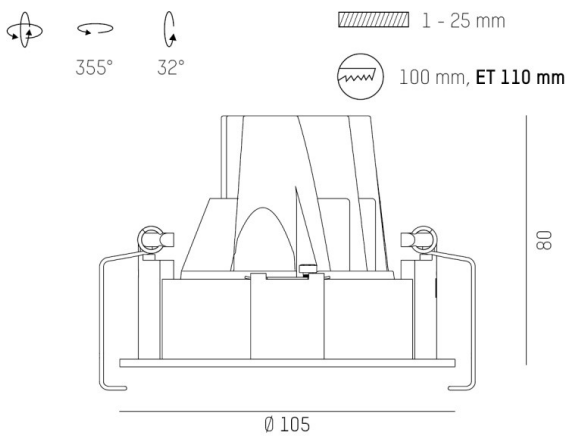
DARK NIGHT S

684-00503084306v1

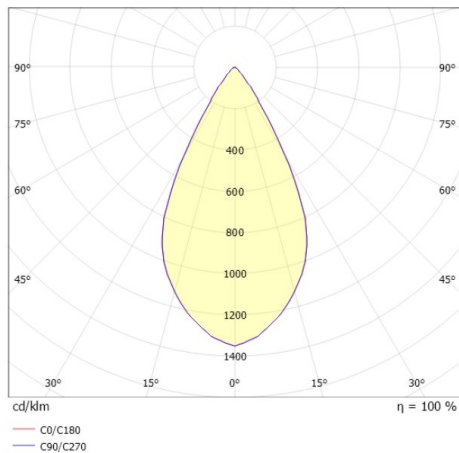
DARK NIGHT TURN SMALL R RECESSED SPOTLIGHT made of aluminium, black matt, similar to RAL 9005, decor black,high-efficiently vacuum deposited aluminium reflector beam 60°, light output direct, UGR <16, swiveling 355°, tilting 32°, without converter, max. 350/500mA, dimmability: see converter, IP20



DRAWING



LIGHT DISTRIBUTION CURVE



TECHNICAL DETAILS

Bulb type	LED 13/19W
Luminous flux (lm)	1000/1370
Current sec. [mA]	350/500
Colour temp. [K]	2700K
CRI	PREMIUM>90
UGR	<16
Optics	vacuum deposited aluminium reflector
Designer	INHOUSE
Converter	without converter
Dimming	see converter
Light output	direct
Beam angle [°]	60°
Material	aluminium
Length [mm]	105
Height [mm]	88
Diameter [mm]	105
Ceiling cutout [mm]	100
Ceiling thickness [mm]	1-25
Recess depth [mm]	118
IP protection class	IP20
Voltage class	protection cl. II
Shock resistance	IK02
Net weight [kg]	0,34
Colour lamp	black matt
RAL	9005
Colour decor	black
EAN-Number	9010506862737
Lifetime [h]	L80 B10 50 000
Energy efficiency cl.	E



The values are rated values. Power and luminous flux are initially subject to a tolerance of +/- 10%. Colour temperature tolerance: +/- 150 K. The values apply to an ambient temperature of 25°C unless otherwise specified.