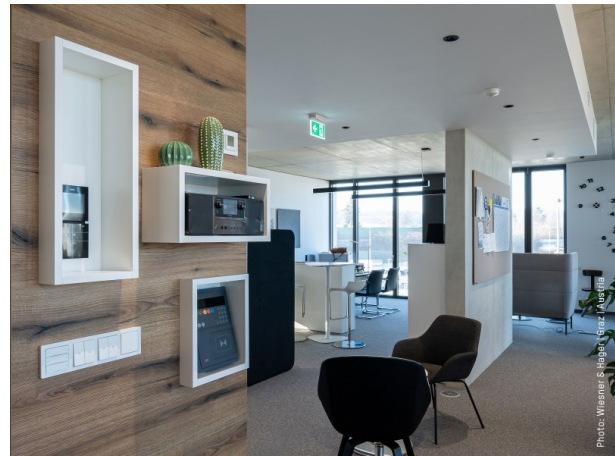


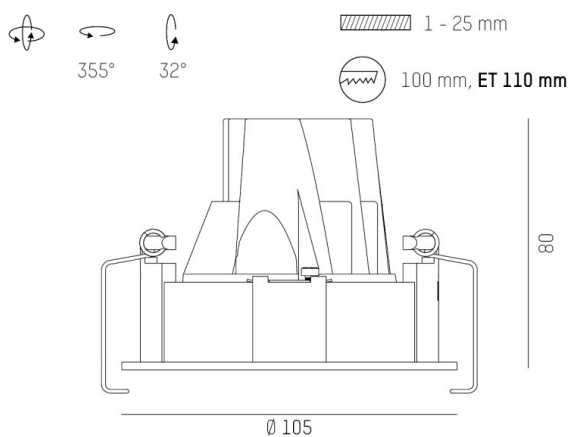
DARK NIGHT S

684-00504084905v1

DARK NIGHT TURN SMALL R RECESSED SPOTLIGHT made of aluminium, white, similar to RAL 9016, decor gold, high-efficiently vacuum deposited aluminium reflector beam 60°, light output direct, UGR <16, swiveling 355°, tilting 32°, without converter, max. 350/500mA, dimmability: see converter, IP20



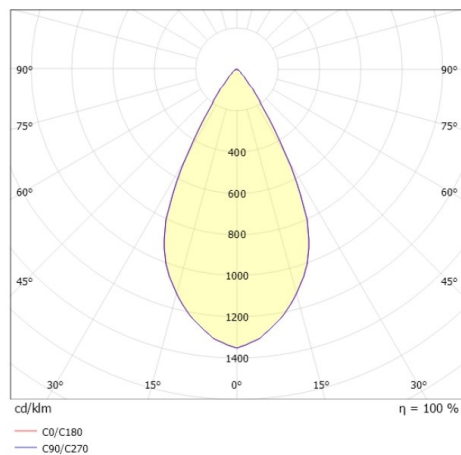
DRAWING



TECHNICAL DETAILS

Bulb type	LED 13/19W
Luminous flux (lm)	1130/1540
Current sec. [mA]	350/500
Colour temp. [K]	3000K
CRI	PREMIUM>90
UGR	<16
Optics	vacuum deposited aluminium reflector
Designer	INHOUSE
Converter	without converter
Dimming	see converter
Light output	direct
Beam angle [°]	60°
Material	aluminium
Length [mm]	105
Height [mm]	88
Diameter [mm]	105
Ceiling cutout [mm]	100
Ceiling thickness [mm]	1-25
Recess depth [mm]	118
IP protection class	IP20
Voltage class	protection cl. II
Shock resistance	IK02
Net weight [kg]	0,34

LIGHT DISTRIBUTION CURVE



The values are rated values. Power and luminous flux are initially subject to a tolerance of +/- 10%. Colour temperature tolerance: +/- 150 K. The values apply to an ambient temperature of 25°C unless otherwise specified.