

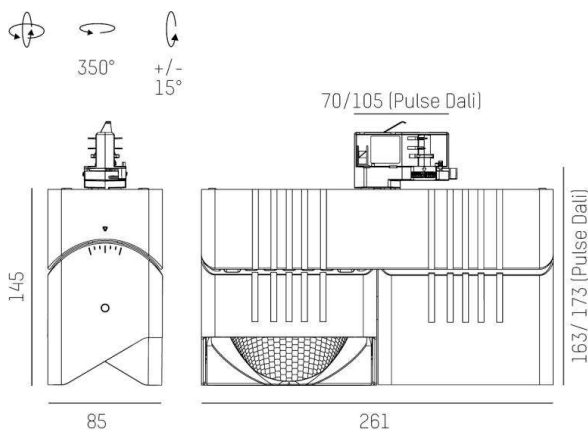
ARTIS

704-112010283050v1

ARTIS 2 TRACK SPOTLIGHT WITH 3 PH ADAPTER made of aluminium, white, similar to RAL 9016, high-efficiently vacuum deposited synthetic reflector beam double asymmetric, light output direct, swiveling 350°, tilting 30°, with converter, max. 800mA, dimmability: not dimmable, adapter/ceiling base white, IP20 with the option of attaching the Lightguider for lighting the 3rd level



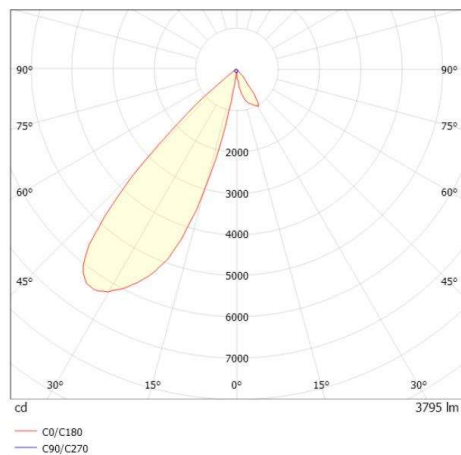
DRAWING



TECHNICAL DETAILS

| | |
|-----------------------------|--------------------------------------|
| System perform. [W] | 64 |
| Bulb type | LED |
| Luminous flux [lm] | 7590 |
| Current sec. [mA] | 800 |
| Colour temp. [K] | 2700K |
| CRI | HE>90 |
| Optics | vacuum deposited synthetic reflector |
| Designer | INHOUSE |
| Converter | with converter |
| Dimming | not dimmable |
| Light output | direct |
| Beam angle [°] | double asym |
| Voltage [V] | 220-240V 50/60Hz |
| Material | aluminium |
| Length [mm] | 261 |
| Width [mm] | 85 |
| Height [mm] | 163 |
| IP protection class | IP20 |
| Voltage class | protection cl. I |
| Net weight [kg] | 2,07 |
| Colour lamp | white |
| RAL | 9016 |
| Colour adapter/ceiling base | white |
| EAN-Number | 9010870316188 |
| Lifetime [h] | L80 B10 50 000 |
| Energy efficiency cl. | D |
| No. of luminaires B16A | 50 |

LIGHT DISTRIBUTION CURVE



The values are rated values. Power and luminous flux are initially subject to a tolerance of +/- 10%. Colour temperature tolerance: +/- 150 K. The values apply to an ambient temperature of 25°C unless otherwise specified.