

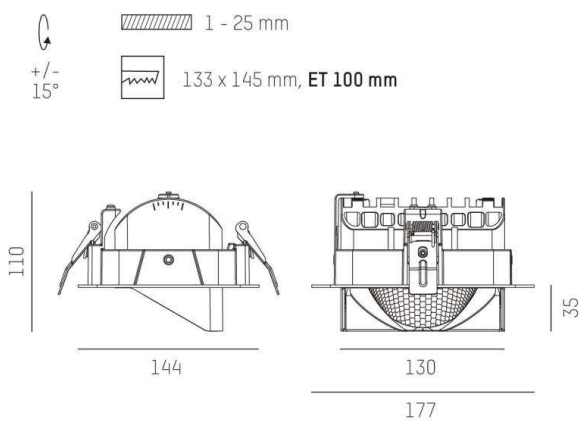
ARTIS MATRIX

704-21103014305

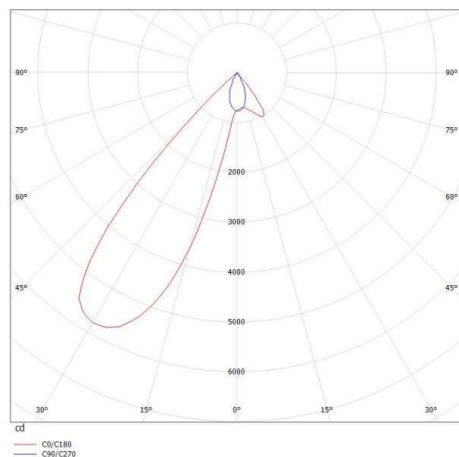
ARTIS 1 MATRIX FLOOR R RECESSED DOWNLIGHT made of aluminium, white, similar to RAL 9016, high-efficiently vacuum deposited synthetic reflector beam asymmetric, light output direct, tilting 30°, without converter, max. 1050mA, IP20 With the option of attaching the Lightguider for lighting the 3rd level and 3-level electrically adjustable floor matrix



DRAWING



LIGHT DISTRIBUTION CURVE



TECHNICAL DETAILS

Bulb type	LED 40W
Luminous flux [lm]	3690
Current sec. [mA]	1050
Colour temp. [K]	2700K
CRI	PREMIUM>90
Optics	vacuum deposited synthetic reflector
Designer	INHOUSE
Converter	without converter
Light output	direct
Beam angle [°]	asymmetrisch
Material	aluminium
Length [mm]	177
Width [mm]	144
Height [mm]	110/35
Ceiling cutout [mm]	133x145
Ceiling thickness [mm]	1-25
Recess depth [mm]	100
IP protection class	IP20
Voltage class	protection cl. II
Net weight [kg]	0,81
Color lamp	white
RAL	9016
EAN-Number	9010506074345
Lifetime [h]	L80 B10 50 000



The values are rated values. Power and luminous flux are initially subject to a tolerance of +/- 10%. Colour temperature tolerance: +/- 150 K. The values apply to an ambient temperature of 25°C unless otherwise specified.