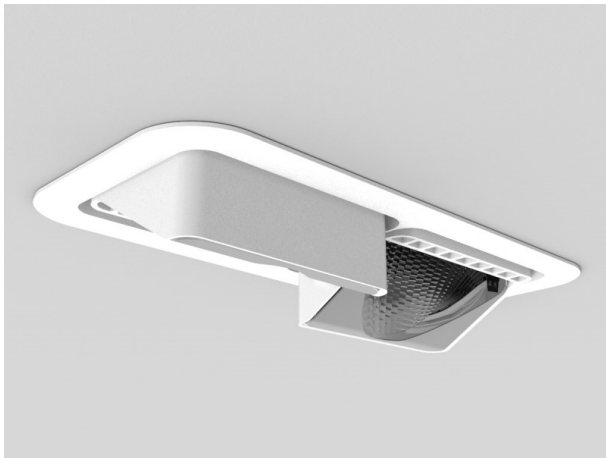


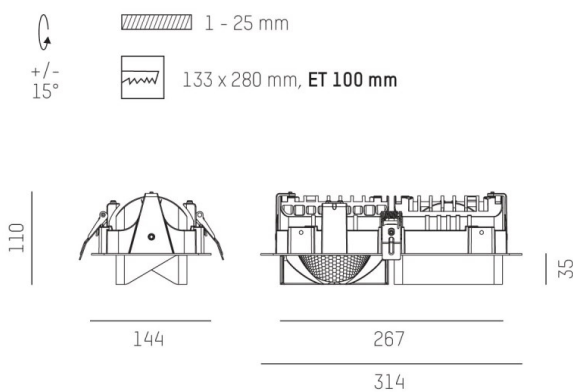
ARTIS MATRIX

704-21203024905v1

ARTIS 2 MATRIX FLOOR R RECESSED DOWNLIGHT made of aluminium, white, similar to RAL 9016, high-efficiently vacuum deposited synthetic reflector beam double asymmetric, light output direct, tilting 30°, without converter, max. 1050mA, dimmability: see converter, IP20 with the option of attaching the Lightguider for lighting the 3rd level and 3-level electrically adjustable floor matrix



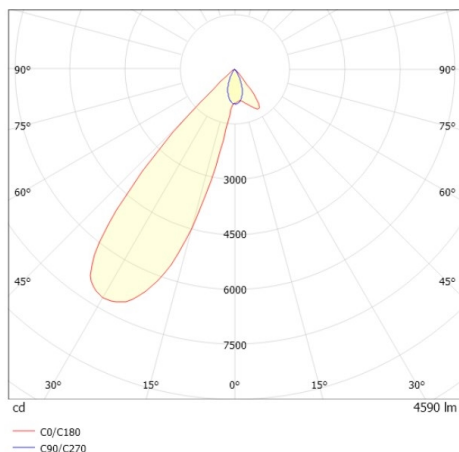
DRAWING



TECHNICAL DETAILS

|                        |                                      |
|------------------------|--------------------------------------|
| Bulb type              | LED 80W                              |
| Luminous flux [lm]     | 9180                                 |
| Current sec. [mA]      | 1050                                 |
| Colour temp. [K]       | 3000K                                |
| CRI                    | PREMIUM>90                           |
| Optics                 | vacuum deposited synthetic reflector |
| Designer               | INHOUSE                              |
| Converter              | without converter                    |
| Dimming                | see converter                        |
| Light output           | direct                               |
| Beam angle [°]         | double asym                          |
| Material               | aluminium                            |
| Length [mm]            | 314                                  |
| Width [mm]             | 144                                  |
| Height [mm]            | 110/35                               |
| Ceiling cutout [mm]    | 133x280                              |
| Ceiling thickness [mm] | 1-25                                 |
| Recess depth [mm]      | 100                                  |
| IP protection class    | IP20                                 |
| Voltage class          | protection cl. II                    |
| Net weight [kg]        | 1,26                                 |
| Colour lamp            | white                                |
| RAL                    | 9016                                 |
| EAN-Number             | 9010870134607                        |
| Lifetime [h]           | L80 B10 50 000                       |
| Energy efficiency cl.  | E                                    |

LIGHT DISTRIBUTION CURVE



The values are rated values. Power and luminous flux are initially subject to a tolerance of +/- 10%. Colour temperature tolerance: +/- 150 K. The values apply to an ambient temperature of 25°C unless otherwise specified.