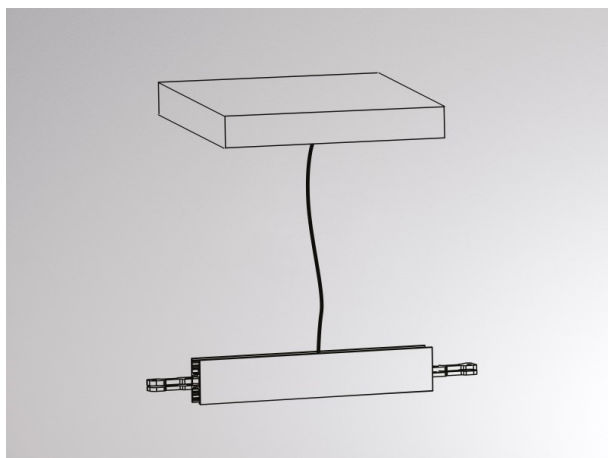
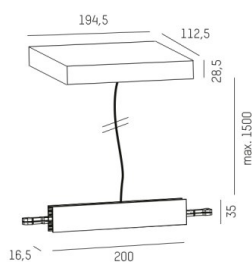


MAGNETICS H

708-00408000006d



DRAWING



TECHNICAL DETAILS

System perform. [W]	MAX 200
Designer	INHOUSE
Converter	with converter
Voltage [V]	220-240V 50Hz
Material	aluminium
Length [mm]	194,5
Width [mm]	112,5
Height [mm]	28,5
Pendant length [mm]	1500
IP protection class	IP20
Voltage class	protection cl. I
Net weight [kg]	1,19
Colour lamp	black
RAL	9005
Colour adapter/ceiling base	black
Electric wire	black
EAN-Number	9010506687293
No. of luminaires B16A	15

LIGHT DISTRIBUTION CURVE



The values are rated values. Power and luminous flux are initially subject to a tolerance of +/- 10%. Colour temperature tolerance: +/- 150 K. The values apply to an ambient temperature of 25°C unless otherwise specified.