

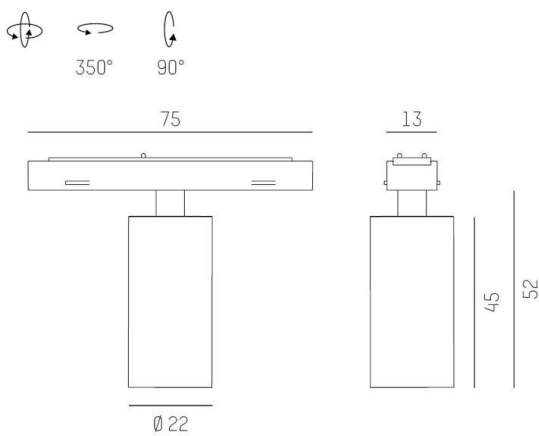
MAGNETICS DALI

708-10201044906d

MAGNETICS SPOT S TRACK SPOTLIGHT WITH 24V ADAPTER made of aluminium, black, similar to RAL 9005, High-Precision-Anti-Glare-Lens beam 20°, light output direct, swiveling 350°, tilting 90°, without converter, max. 195mA, dimmability: DALI, adapter/ceiling base black, IP20



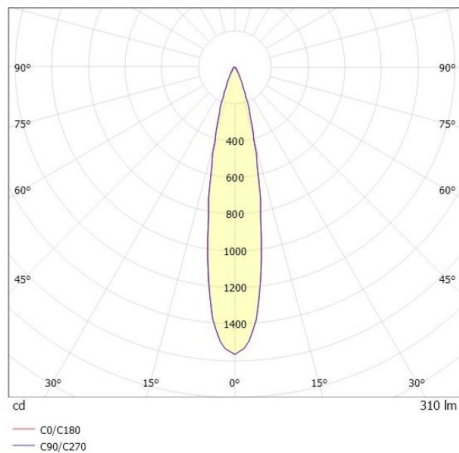
DRAWING



TECHNICAL DETAILS

|                             |                                |
|-----------------------------|--------------------------------|
| System perform. [W]         | 4                              |
| Bulb type                   | LED                            |
| Luminous flux [lm]          | 310                            |
| Current sec. [mA]           | 195                            |
| Colour temp. [K]            | 3000K                          |
| CRI                         | PREMIUM>90                     |
| Optics                      | high-Precision-Anti-Glare-Lens |
| Designer                    | INHOUSE                        |
| Converter                   | without converter              |
| Light output                | direct                         |
| Beam angle [°]              | 20°                            |
| Voltage [V]                 | 24 VDC                         |
| Material                    | aluminium                      |
| Length [mm]                 | 75                             |
| Width [mm]                  | 22                             |
| Height [mm]                 | 52                             |
| Diameter [mm]               | 22                             |
| IP protection class         | IP20                           |
| Voltage class               | protection cl. III             |
| Shock resistance            | IK03                           |
| Net weight [kg]             | 0,64                           |
| Colour lamp                 | black                          |
| RAL                         | 9005                           |
| Colour adapter/ceiling base | black                          |
| EAN-Number                  | 9010506957532                  |
| Lifetime [h]                | L80 B10 50 000                 |
| Energy efficiency cl.       | E                              |

LIGHT DISTRIBUTION CURVE



The values are rated values. Power and luminous flux are initially subject to a tolerance of +/- 10%. Colour temperature tolerance: +/- 150 K. The values apply to an ambient temperature of 25°C unless otherwise specified.