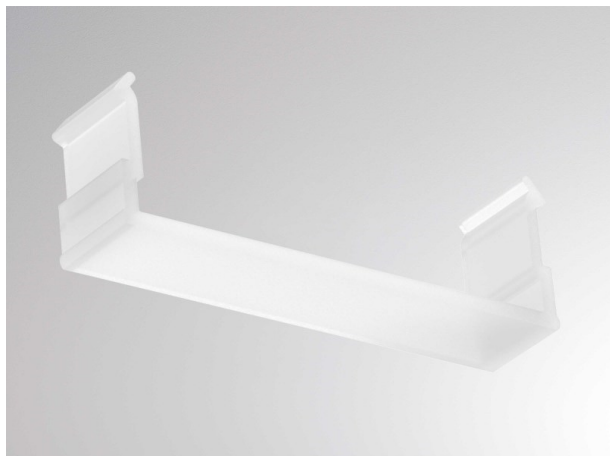
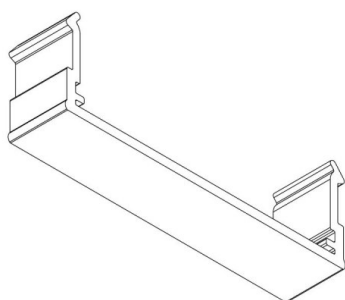


LOG 50 SYSTEM

715-0774001000000



DRAWING



TECHNICAL DETAILS

Optics	PMMA opal diffuser
Dimming	not dimmable
Width [mm]	49
IP protection class	IP20
Net weight [kg]	0,18
Colour of glass/shade	satined
EAN-Number	9010506449716

LIGHT DISTRIBUTION CURVE



The values are rated values. Power and luminous flux are initially subject to a tolerance of +/- 10%. Colour temperature tolerance: +/- 150 K. The values apply to an ambient temperature of 25°C unless otherwise specified.