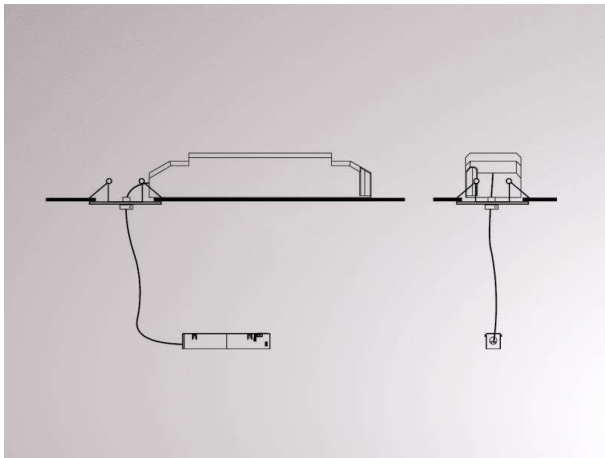
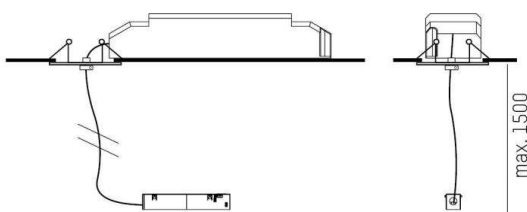


VALO

720-001170000550



DRAWING



TECHNICAL DETAILS

System perform. [W]	MAX. 150
Converter	with converter
Voltage [V]	220-240V 50/60Hz
Material	steel sheet
Width [mm]	61
Height [mm]	49
Pendant length [mm]	1500
Ceiling cutout [mm]	100
Ceiling thickness [mm]	1-20
Recess depth [mm]	120
IP protection class	IP20
Voltage class	protection cl. II
Net weight [kg]	1,54
Color lamp	white
RAL	9016
Color adapter/ceiling base	white
Electric wire	transparent
EAN-Number	9010506240580
No. of luminaires B16A	15

LIGHT DISTRIBUTION CURVE



The values are rated values. Power and luminous flux are initially subject to a tolerance of +/- 10%. Colour temperature tolerance: +/- 150 K. The values apply to an ambient temperature of 25°C unless otherwise specified.