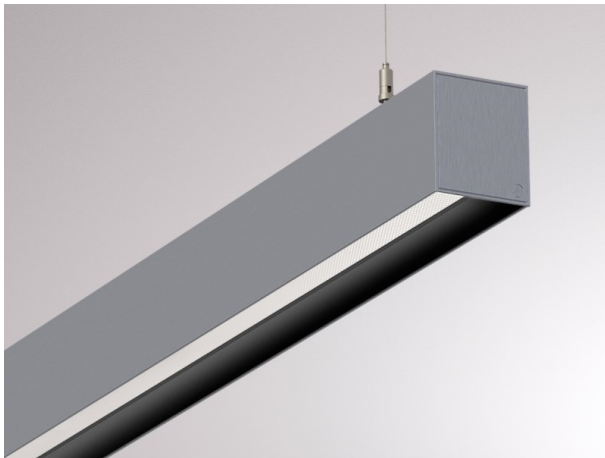


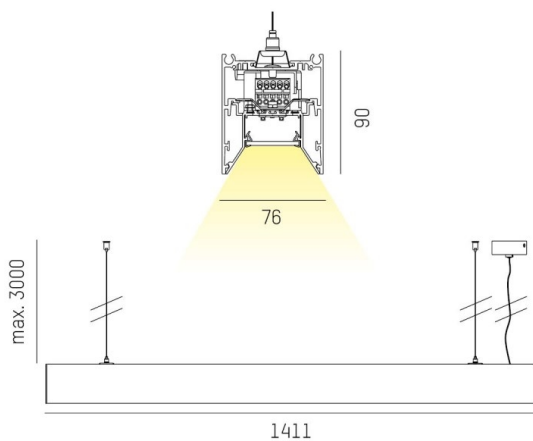
LOG OUT 2.1

728-20205111986d

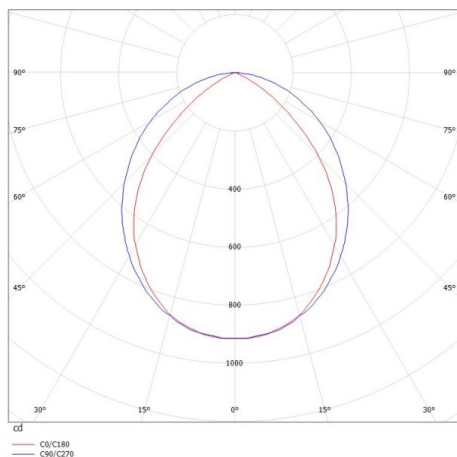
LOG OUT 2.1 BINA PD SUSPENSION made of die-cast aluminium, natural anodised, decor black, satined PMMA opal diffuser light output direct, with converter, dimmability: DALI, through wiring 3x1,5mm<sup>2</sup> + 2x0,75mm<sup>2</sup>, cable transparent, adapter/ceiling base grey, pendant length 3000mm, IP20



DRAWING



LIGHT DISTRIBUTION CURVE



TECHNICAL DETAILS

|                             |  |
|-----------------------------|--|
| System perform. [W]         | 20   |
| Bulb type                   | LED  |
| Luminous flux [lm]          | 1950   |
| Colour temp. [K]            | 3000K  |
| CRI                         | >80  |
| Optics                      | PMMA opal diffuser                           |
| Designer                    | INHOUSE                                      |
| Converter                   | with converter                               |
| Light output                | direct                                       |
| Voltage [V]                 | 220-240V 50/60Hz                             |
| Through wiring              | 3x1,5mm <sup>2</sup> + 2x0,75mm <sup>2</sup> |
| Material                    | die-cast aluminium                           |
| Length [mm]                 | 1411   |
| Width [mm]                  | 76   |
| Height [mm]                 | 90   |
| Pendant length [mm]         | 3000   |
| IP protection class         | IP20   |
| Voltage class               | protection cl. I                             |
| Shock resistance            | IK06   |
| Net weight [kg]             | 6,91   |
| Colour lamp                 | natural anodised                             |
| Colour adapter/ceiling base | grey   |
| Colour decor                | black  |
| Electric wire               | transparent                                  |
| EAN-Number                  | 9010506170542                                |
| Lifetime [h]                | L80 B10 50 000                               |
| Energy efficiency cl.       | D  |
| No. of luminaires B16A      | 50   |



The values are rated values. Power and luminous flux are initially subject to a tolerance of +/- 10%. Colour temperature tolerance: +/- 150 K. The values apply to an ambient temperature of 25°C unless otherwise specified.