

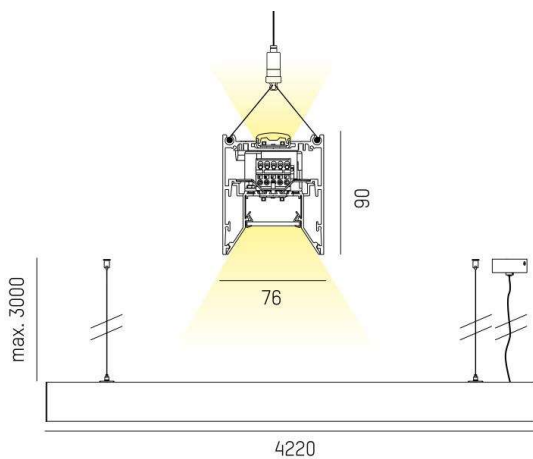
LOG OUT 2.1

728-20209421466d

LOG OUT 2.1 BINA OFFICE PDI SUSPENSION made of die-cast aluminium, black, similar to RAL 9005, decor black, microprismatic PMMA cover for perfect anti-glare light output direct / indirect, UGR <19, with converter, dimmability: DALI, through wiring 3x1,5mm² + 2x0,75mm², cable transparent, adapter/ceiling base black, pendant length 3000mm, IP20



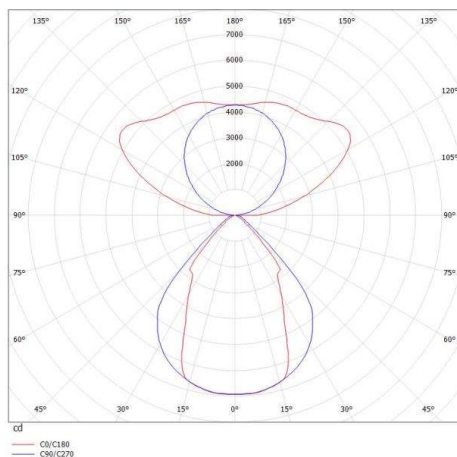
DRAWING



TECHNICAL DETAILS

|                             |                      |
|-----------------------------|----------------------|
| System perform. [W]         | 252                  |
| Bulb type                   | LED                  |
| Luminous flux [lm]          | 28770                |
| Colour temp. [K]            | 4000K                |
| CRI                         | >80                  |
| UGR                         | <19                  |
| Optics                      | microprismatic cover |
| Designer                    | INHOUSE              |
| Converter                   | with converter       |
| Light output                | direct / indirect    |
| Voltage [V]                 | 220-240V 50/60Hz     |
| Through wiring              | 3x1,5mm² + 2x0,75mm² |
| Material                    | die-cast aluminium   |
| Length [mm]                 | 4220                 |
| Width [mm]                  | 76                   |
| Height [mm]                 | 90                   |
| Pendant length [mm]         | 3000                 |
| IP protection class         | IP20                 |
| Voltage class               | protection cl. I     |
| Shock resistance            | IK06                 |
| Net weight [kg]             | 18,40                |
| Colour lamp                 | black                |
| RAL                         | 9005                 |
| Colour adapter/ceiling base | black                |
| Colour decor                | black                |
| Electric wire               | transparent          |
| EAN-Number                  | 9010506189032        |
| Lifetime [h]                | L80 B10 50 000       |
| Energy efficiency cl.       | D                    |
| No. of luminaires B16A      | 16                   |

LIGHT DISTRIBUTION CURVE



The values are rated values. Power and luminous flux are initially subject to a tolerance of +/- 10%. Colour temperature tolerance: +/- 150 K. The values apply to an ambient temperature of 25°C unless otherwise specified.