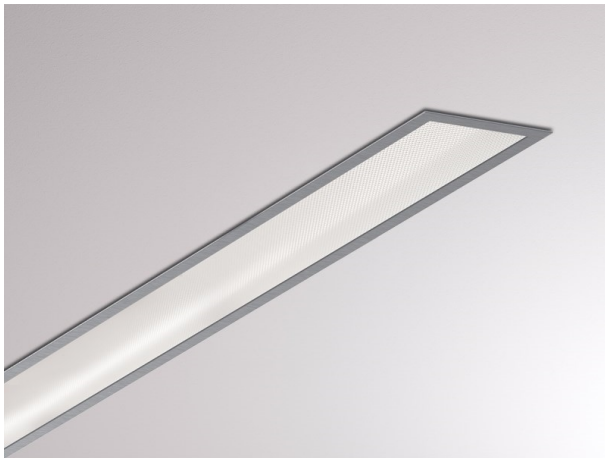


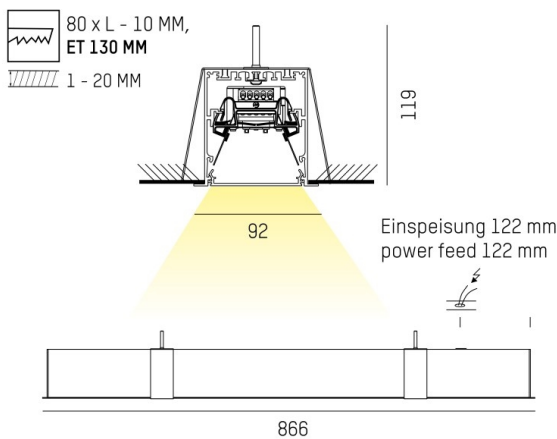
LOG IN 2.1

728-301031813800

LOG IN 2.1 R RECESSED WALL / CEILING LUMINAIRE made of die-cast aluminium, natural anodised, microprismatic foil light output direct, UGR <19, with converter, dimmability: not dimmable, through wiring 3x1,5mm², IP20



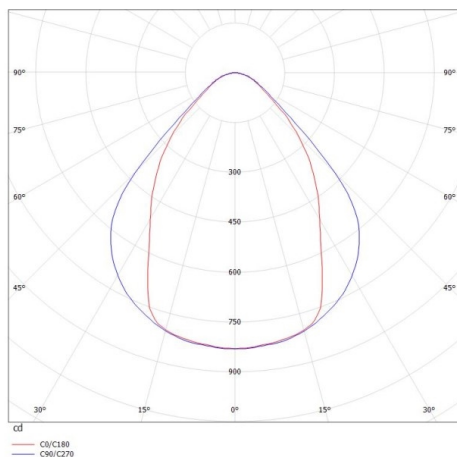
DRAWING



TECHNICAL DETAILS

| | |
|------------------------|---------------------|
| System perform. [W] | 12 |
| Bulb type | LED |
| Luminous flux [lm] | 1450 |
| Colour temp. [K] | 2700K |
| CRI | >80 |
| UGR | <19 |
| Optics | microprismatic foil |
| Designer | INHOUSE |
| Converter | with converter |
| Dimming | not dimmable |
| Light output | direct |
| Voltage [V] | 220-240V 50/60Hz |
| Through wiring | 3x1,5mm² |
| Material | die-cast aluminium |
| Length [mm] | 866 |
| Width [mm] | 92 |
| Height [mm] | 119 |
| Ceiling cutout [mm] | 856x80 |
| Ceiling thickness [mm] | 1-20 |
| Recess depth [mm] | 130 |
| IP protection class | IP20 |
| Voltage class | protection cl. I |
| Net weight [kg] | 2,97 |
| Colour lamp | natural anodised |
| EAN-Number | 9010506423051 |
| Lifetime [h] | L80 B10 50 000 |
| Energy efficiency cl. | D |
| No. of luminaires B16A | 50 |

LIGHT DISTRIBUTION CURVE



The values are rated values. Power and luminous flux are initially subject to a tolerance of +/- 10%. Colour temperature tolerance: +/- 150 K. The values apply to an ambient temperature of 25°C unless otherwise specified.