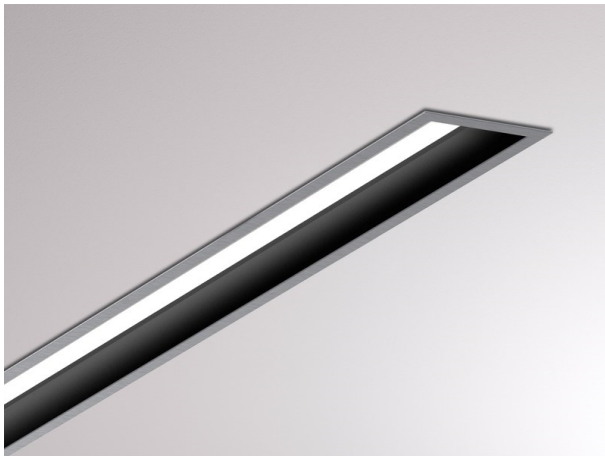


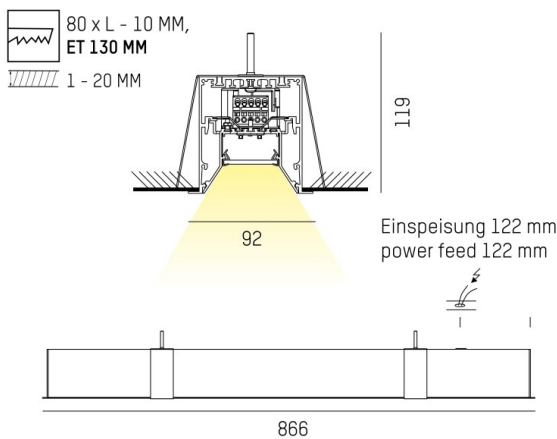
LOG IN 2.1

728-30203311386d

LOG IN 2.1 BINA R RECESSED WALL / CEILING LUMINAIRE made of die-cast aluminium, natural anodised, decor black, satined PMMA opal diffuser light output direct, with converter, dimmability: DALI, through wiring 3x1,5mm<sup>2</sup> + 2x0,75mm<sup>2</sup>, IP20 ball-impact resistant according to DIN 18032



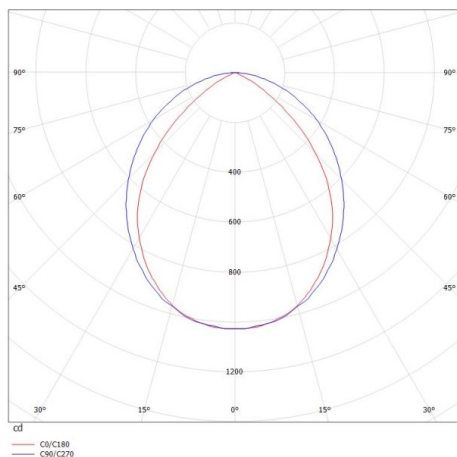
DRAWING



TECHNICAL DETAILS

|                        |  |
|------------------------|--|
| System perform. [W]    | 24   |
| Bulb type              | LED  |
| Luminous flux [lm]     | 2190   |
| Colour temp. [K]       | 2700K  |
| CRI                    | >80  |
| Optics                 | PMMA opal diffuser                           |
| Designer               | INHOUSE                                      |
| Converter              | with converter                               |
| Light output           | direct                                       |
| Voltage [V]            | 220-240V 50/60Hz                             |
| Through wiring         | 3x1,5mm <sup>2</sup> + 2x0,75mm <sup>2</sup> |
| Material               | die-cast aluminium                           |
| Length [mm]            | 866  |
| Width [mm]             | 92   |
| Height [mm]            | 119  |
| Ceiling cutout [mm]    | 856x80                                       |
| Ceiling thickness [mm] | 1-20   |
| Recess depth [mm]      | 130  |
| IP protection class    | IP20   |
| Voltage class          | protection cl. I                             |
| Shock resistance       | IK06   |
| Net weight [kg]        | 3,94   |
| Colour lamp            | natural anodised                             |
| Colour decor           | black  |
| EAN-Number             | 9010506174885                                |
| Lifetime [h]           | L80 B10 50 000                               |
| Energy efficiency cl.  | D  |
| No. of luminaires B16A | 50   |

LIGHT DISTRIBUTION CURVE



The values are rated values. Power and luminous flux are initially subject to a tolerance of +/- 10%. Colour temperature tolerance: +/- 150 K. The values apply to an ambient temperature of 25°C unless otherwise specified.