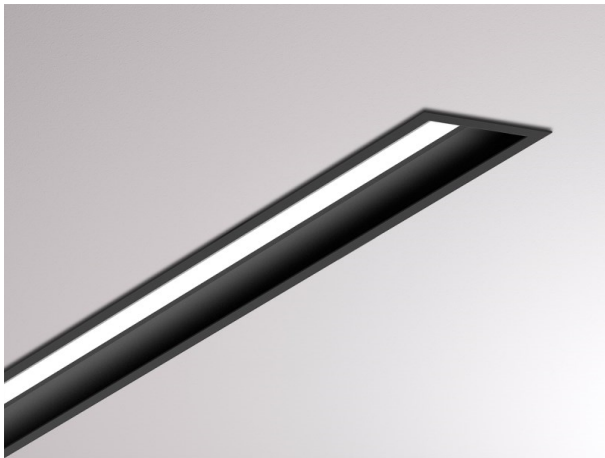


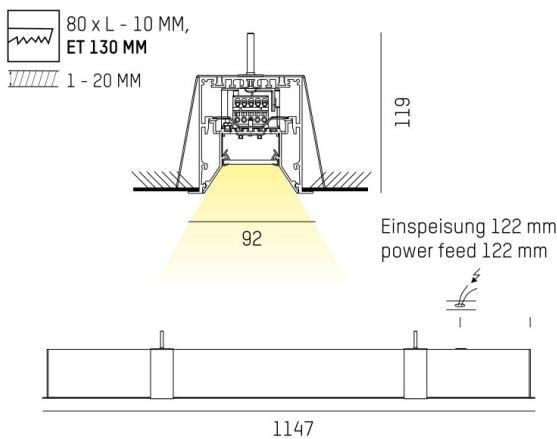
LOG IN 2.1

728-302041113660

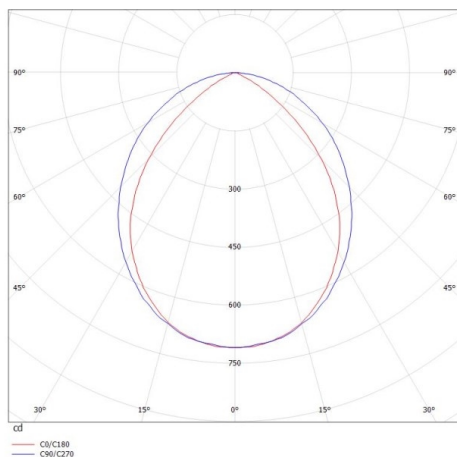
LOG IN 2.1 BINA R RECESSED WALL / CEILING LUMINAIRE made of die-cast aluminium, black, similar to RAL 9005, decor black, satined PMMA opal diffuser light output direct, with converter, dimmability: not dimmable, through wiring 3x1,5mm², IP20 ball-impact resistant according to DIN 18032



DRAWING



LIGHT DISTRIBUTION CURVE



TECHNICAL DETAILS

| | |
|------------------------|--------------------|
| System perform. [W] | 16 |
| Bulb type | LED |
| Luminous flux [lm] | 1510 |
| Colour temp. [K] | 2700K |
| CRI | >80 |
| Optics | PMMA opal diffuser |
| Designer | INHOUSE |
| Converter | with converter |
| Dimming | not dimmable |
| Light output | direct |
| Voltage [V] | 220-240V 50/60Hz |
| Through wiring | 3x1,5mm² |
| Material | die-cast aluminium |
| Length [mm] | 1146,5 |
| Width [mm] | 92 |
| Height [mm] | 119 |
| Ceiling cutout [mm] | 1136,5x80 |
| Ceiling thickness [mm] | 1-20 |
| Recess depth [mm] | 130 |
| IP protection class | IP20 |
| Voltage class | protection cl. I |
| Shock resistance | IK06 |
| Net weight [kg] | 4,89 |
| Colour lamp | black |
| RAL | 9005 |
| Colour decor | black |
| EAN-Number | 9010506154498 |
| Lifetime [h] | L80 B10 50 000 |
| Energy efficiency cl. | D |
| No. of luminaires B16A | 50 |



The values are rated values. Power and luminous flux are initially subject to a tolerance of +/- 10%. Colour temperature tolerance: +/- 150 K. The values apply to an ambient temperature of 25°C unless otherwise specified.