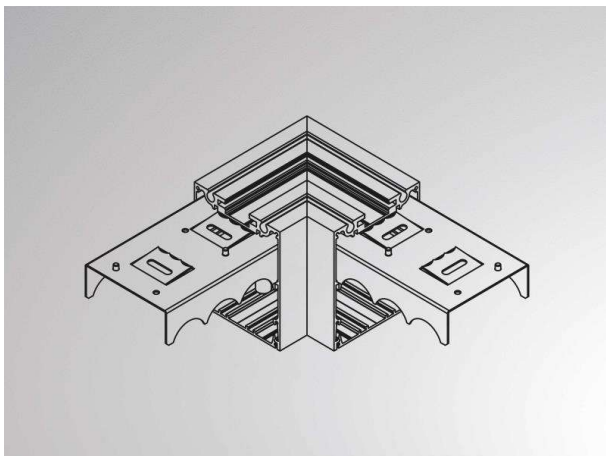


LOG 2.1. SYSTEM

728-390000000500

90° junction in board, galvanised



DRAWING

TECHNICAL DETAILS

Designer	INHOUSE
Dimming	not dimmable
IP protection class	IP20
Net weight [kg]	1,13
Colour lamp	white
RAL	9016
EAN-Number	9010506147278

LIGHT DISTRIBUTION CURVE



The values are rated values. Power and luminous flux are initially subject to a tolerance of +/- 10%. Colour temperature tolerance: +/- 150 K. The values apply to an ambient temperature of 25°C unless otherwise specified.