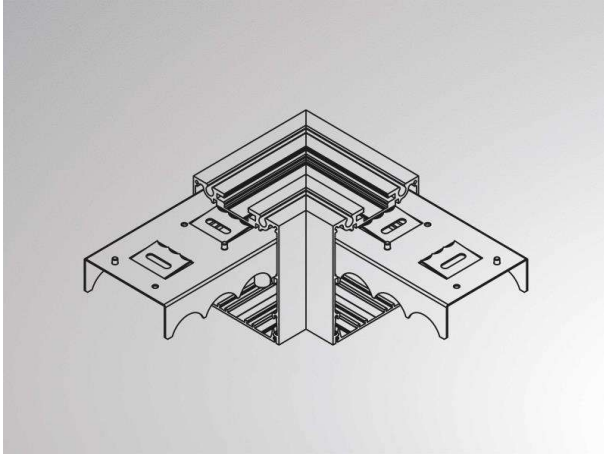


LOG IN 2 1

728-390000000800

90° junction in board, galvanised



DRAWING

TECHNICAL DETAILS

Designer	INHOUSE
Net weight [kg]	1,13
Color lamp	natural anodised
EAN-Number	9010506147292

LIGHT DISTRIBUTION CURVE



The values are rated values. Power and luminous flux are initially subject to a tolerance of +/- 10%. Colour temperature tolerance: +/- 150 K. The values apply to an ambient temperature of 25°C unless otherwise specified.