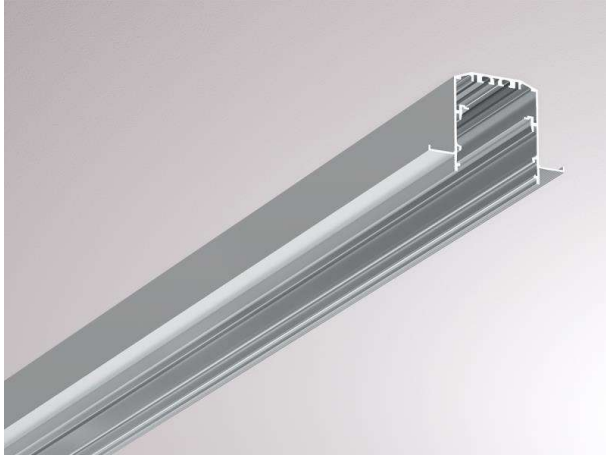


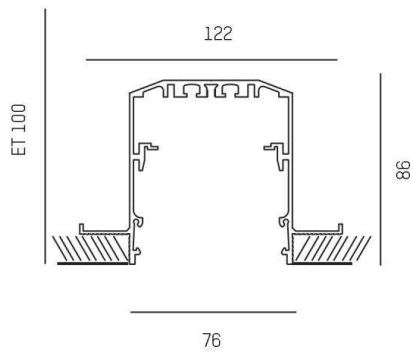
LOG IN TRIMLESS 2.1

728-4950100

LOG 2.1 SYSTEM PROFIL R TRIMLESS RECESSED PROFILE made of die-cast aluminium, IP20



DRAWING



TECHNICAL DETAILS

Designer	INHOUSE
Material	die-cast aluminium
Length [mm]	4500
Width [mm]	76
Height [mm]	86
Recess depth [mm]	100
IP protection class	IP20
Net weight [kg]	9,99
EAN-Number	9010506147360

LIGHT DISTRIBUTION CURVE



The values are rated values. Power and luminous flux are initially subject to a tolerance of +/- 10%. Colour temperature tolerance: +/- 150 K. The values apply to an ambient temperature of 25°C unless otherwise specified.