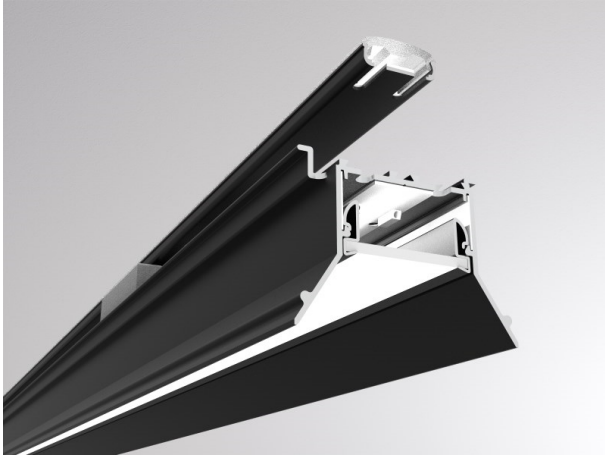


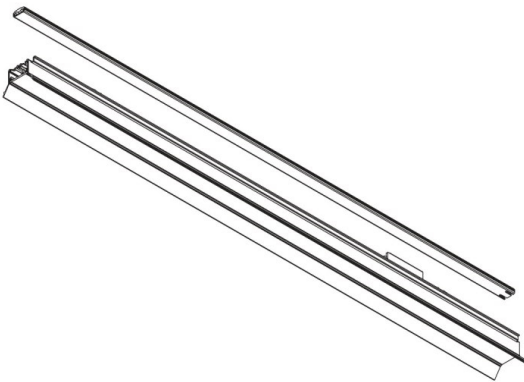
LOG 2.1. SYSTEM

728-60203411306d

LOG 2.1 SYSTEM EINSATZ BINA OPAL D/ID LIGHT INSERT made of aluminium, black, similar to RAL 9005, sated PMMA opal diffuser light output direct / indirect, with converter, max. 900mA, dimmability: DALI, through wiring 3x1,5mm² + 2x0,75mm², IP20



DRAWING



LIGHT DISTRIBUTION CURVE

TECHNICAL DETAILS

System perform. [W]	49
Bulb type	LED
Luminous flux [lm]	5310
Current sec. [mA]	900
Colour temp. [K]	2700K
CRI	>80
Optics	PMMA opal diffuser
Designer	INHOUSE
Converter	with converter
Light output	direct / indirect
Voltage [V]	220-240V 50/60Hz
Through wiring	3x1,5mm ² + 2x0,75mm ²
Material	aluminium
Length [mm]	844
IP protection class	IP20
Voltage class	protection cl. I
Shock resistance	IK06
Net weight [kg]	2,47
Colour lamp	black
RAL	9005
EAN-Number	9010506159288
Lifetime [h]	L80 B10 50 000
Energy efficiency cl.	D
No. of luminaires B16A	25



The values are rated values. Power and luminous flux are initially subject to a tolerance of +/- 10%. Colour temperature tolerance: +/- 150 K. The values apply to an ambient temperature of 25°C unless otherwise specified.