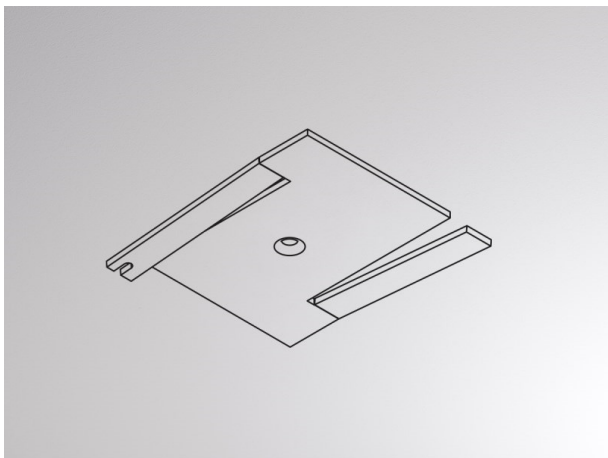


## LOG 2.1. SYSTEM

728-6990000

profile mounting brackets for 3-phase track (only surface mounted track), for installation of SHOPSTAR spotlights, incl. installation screw  
M4x16din965a, distance: each 1000mm 1 set



## DRAWING

## TECHNICAL DETAILS

Designer	INHOUSE
Dimming	not dimmable
IP protection class	IP20
Net weight [kg]	0,04
EAN-Number	9010506147193

## LIGHT DISTRIBUTION CURVE



The values are rated values. Power and luminous flux are initially subject to a tolerance of +/- 10%. Colour temperature tolerance: +/- 150 K. The values apply to an ambient temperature of 25°C unless otherwise specified.