

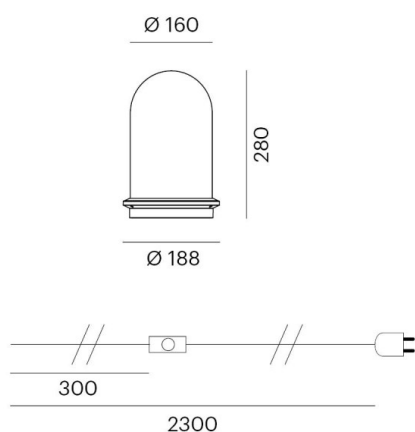
PILLE SINGLE

737-500236gtv1

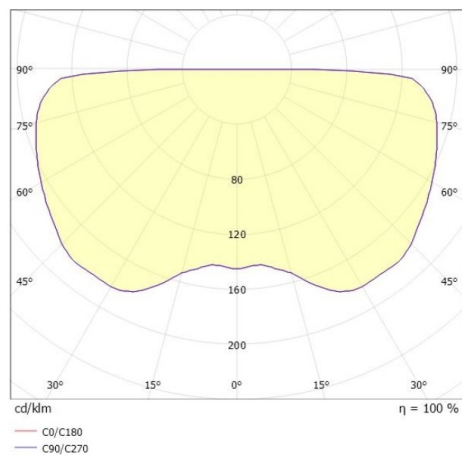
PILLE SINGLE L T TABLE LUMINAIRE made of aluminium, black, similar to RAL 9005, shade made of hand-blown glass grey, light output indirect, with converter, max. 350mA, dimmability: Push Dim, cable black, synthetic fabric, IP20 bas made of stone



DRAWING



LIGHT DISTRIBUTION CURVE



TECHNICAL DETAILS

System perform. [W]	14
Bulb type	LED
Luminous flux [lm]	630
Current sec. [mA]	350
Colour temp. [K]	2700K
CRI	PREMIUM>90
Optics	hand-blown glass
Converter	with converter
Light output	indirect
Voltage [V]	220-240V 50/60Hz
Material	aluminium
Length [mm]	188,1
Height [mm]	280
Diameter [mm]	188
IP protection class	IP20
Voltage class	protection cl. II
Net weight [kg]	1,77
Colour lamp	black
RAL	9005
Colour of glass/shade	grey
Electric wire	black, synthetic fabric
EAN-Number	9010870125711
Lifetime [h]	50 000 L80 B10
Energy efficiency cl.	E
No. of luminaires B16A	50



The values are rated values. Power and luminous flux are initially subject to a tolerance of +/- 10%. Colour temperature tolerance: +/- 150 K. The values apply to an ambient temperature of 25°C unless otherwise specified.