

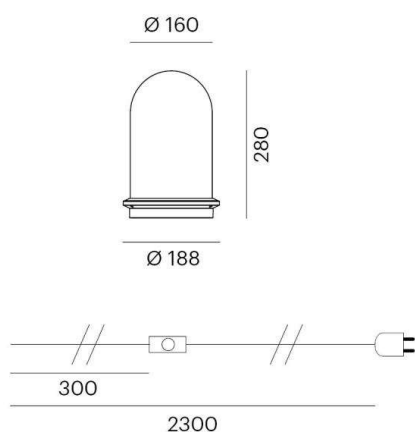
PILLE SINGLE L

737-500236ht

PILLE SINGLE L T TABLE LUMINAIRE made of hand-blown glass, black, similar to RAL 9005, champagne, light output indirect, with converter, max. 350mA, dimmability: Push Dim, IP20



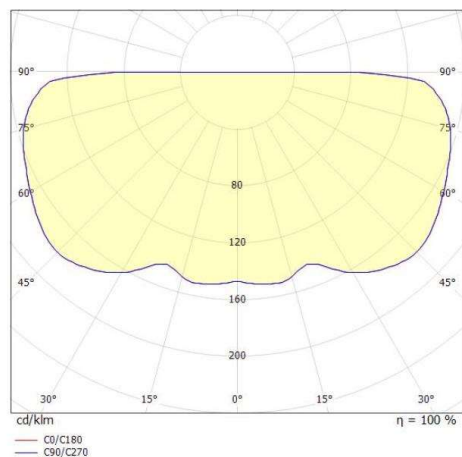
DRAWING



TECHNICAL DETAILS

System perform. [W]	14
Bulb type	LED
Luminous flux [lm]	820
Current sec. [mA]	350
Colour temp. [K]	2700K
CRI	>90
Converter	with converter
Light output	indirect
Voltage [V]	220-240V 50/60Hz
Material	hand-blown glass
Height [mm]	280
Diameter [mm]	188
IP protection class	IP20
Voltage class	protection cl. II
Net weight [kg]	1,77
Color lamp	black
RAL	9005
Glass color	champagne
EAN-Number	9010506415322
Lifetime [h]	50 000 L80 B10
No. of luminaires B16A	50

LIGHT DISTRIBUTION CURVE



The values are rated values. Power and luminous flux are initially subject to a tolerance of +/- 10%. Colour temperature tolerance: +/- 150 K. The values apply to an ambient temperature of 25°C unless otherwise specified.