

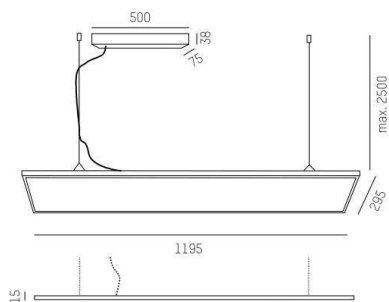
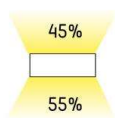
RUBE PDI

757-lr12031050bs

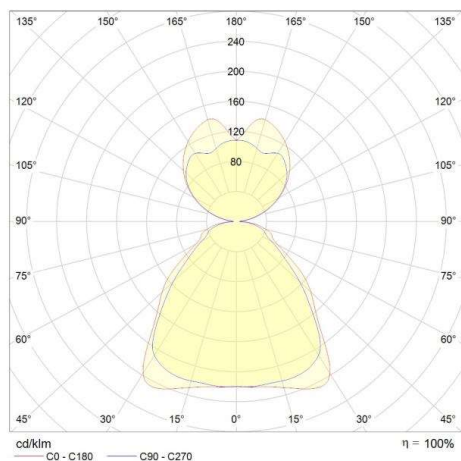
RUBE PDI SUSPENSION made of aluminium, black, microprismatic PMMA cover for perfect anti-glare light output direct / indirect, UGR <19, with converter, cable transparent, pendant length 2500mm, IP20



DRAWING



LIGHT DISTRIBUTION CURVE



TECHNICAL DETAILS

|                     |                      |
|---------------------|----------------------|
| System perform. [W] | 57                   |
| Bulb type           | LED                  |
| Luminous flux [lm]  | 5390                 |
| Colour temp. [K]    | 3000K                |
| CRI                 | >80                  |
| UGR                 | <19                  |
| Optics              | microprismatic cover |
| Converter           | with converter       |
| Light output        | direct / indirect    |
| Voltage [V]         | 220-240V 50/60Hz     |
| Material            | aluminium            |
| Length [mm]         | 1195                 |
| Width [mm]          | 295                  |
| Height [mm]         | 15                   |
| Pendant length [mm] | 2500                 |
| IP protection class | IP20                 |
| Voltage class       | protection cl. I     |
| Net weight [kg]     | 3,98                 |
| Color lamp          | black                |
| Electric wire       | transparent          |
| Lifetime [h]        | 50 000               |



The values are rated values. Power and luminous flux are initially subject to a tolerance of +/- 10%. Colour temperature tolerance: +/- 150 K. The values apply to an ambient temperature of 25°C unless otherwise specified.